



Baire and automata

Pierre Simonnet, Benoit Cagnard

► **To cite this version:**

Pierre Simonnet, Benoit Cagnard. Baire and automata. Discrete Mathematics and Theoretical Computer Science, DMTCS, 2007, 9 (2), pp.255–295. <hal-00966518>

HAL Id: hal-00966518

<https://hal.inria.fr/hal-00966518>

Submitted on 26 Mar 2014

HAL is a multi-disciplinary open access archive for the deposit and dissemination of scientific research documents, whether they are published or not. The documents may come from teaching and research institutions in France or abroad, or from public or private research centers.

L'archive ouverte pluridisciplinaire **HAL**, est destinée au dépôt et à la diffusion de documents scientifiques de niveau recherche, publiés ou non, émanant des établissements d'enseignement et de recherche français ou étrangers, des laboratoires publics ou privés.

Baire and automata

Pierre Simonnet and Benoit Cagnard

Faculté des sciences, université de Corse, B.P. 52, 20250 Corte, FRANCE.

{simonnet,cagnard}@univ-corse.fr

received 15 Jan 2005, revised 16 Aug 2005, accepted 17 Oct 2005.

In his thesis Baire defined functions of Baire class 1. A function f is of Baire class 1 if it is the pointwise limit of a sequence of continuous functions. Baire proves the following theorem. A function f is not of class 1 if and only if there exists a closed nonempty set F such that the restriction of f to F has no point of continuity. We prove the automaton version of this theorem. An ω -rational function is not of class 1 if and only if there exists a closed nonempty set F recognized by a Büchi automaton such that the restriction of f to F has no point of continuity. This gives us the opportunity for a discussion on Hausdorff's analysis of Δ_2^0 , ordinals, transfinite induction and some applications of computer science.

Keywords: Automata, Borel functions, ω -regular sets, coanalytic sets

1 Introduction

We would like to dedicate this work to the memory of Pierre Dugac, who was a great historian of Mathematics, and the French specialist of Baire's work.

In his thesis Baire introduced the hierarchy of Baire classes of functions. A function f belongs to class 0 if it is continuous. A function f belongs to class 1 if it is the pointwise limit of a sequence of functions of class 0. A function f belongs to class 2 if it is the pointwise limit of a sequence of functions of class 1, and so on. The present work concerns functions $f : A^\omega \rightarrow B^\omega$ which are ω -rational (A^ω and B^ω sets of infinite words on finite alphabets A and B). We study these objects from a topological point of view. Let us describe the work done on ω -rational relations.

Acceptance of infinite words by finite automata was first considered in the sixties by Büchi in order to study decidability of the monadic second order of one successor over the integers [14]. Since this paper the ω -regular languages have been intensively studied especially because the topological space of infinite words with the usual prefix distance has very interesting properties [69, 95, 92].

Rational relations on finite words are relations computable by finite automata with two tapes. They were first studied by Rabin and Scott [74]. A number of their properties were established by Elgot and Mezei [30]. The Decomposition Theorem characterizing functional rational transductions is one of them. A sequential function is a function whose graph is a rational relation with a condition of determinism on the input. A right (resp. left) sequential function reads words from right to left (resp. left to right). A functional rational transduction f satisfying $f(\varepsilon) = \varepsilon$ is a composition of a left sequential function and of a right sequential function [29, 12, 78]. The extension of rational relations to infinite words, called ω -rational relations, were first studied in

[7, 56, 13, 40]. ω -rational relations are relations computable by a finite automaton with two tapes with a Büchi acceptance condition (and a condition to avoid $A^* \times B^*$, $A^\omega \times B^*$ and $A^* \times B^\omega$). In [41] Gire shows that functionality is decidable for a ω -rational relation. In [37] Sakarovitch and Frougny show that ω -rational relations of $A^\omega \times B^\omega$ with bounded delay are exactly the ω -regular languages on the product alphabet $A \times B$. In addition, they prove some undecidability results on ω -rational relations which can be deduced from corresponding undecidability results on rational relations over finite words. The reader should also see [55, 24] for other properties and references.

It is only in [31, 32] that the topological complexity of ω -rational relations is really investigated. Links between descriptive set theory and automata theory are not new. They go back to Büchi and Landweber's work [54, 18, 100]. Büchi talks very early about analytic set and games [16]. In [107] Wagner and Staiger shows that a subset of A^ω (A finite) is recognized by a nondeterministic turing machine with Müller conditions if and only if it is an effective analytic set, that is to say a Σ_1^1 set (see Rogers [75] and Moschovakis [65] for a definition of the class Σ_1^1). In Staiger papers [88, 90, 89, 91, 92] one can have a good overview of the subject. We give here a short account of Finkel's recent work.

Descriptive set theory is the study of definable sets in Polish spaces. A Polish space is a topological space P which is separable (it has a countable dense subset) and have a compatible metric d such that (P, d) is complete. Compact metric spaces are Polish (2^ω the Cantor space, $[0, 1]$). Complete separable metric spaces are Polish (\mathbb{R} , \mathbb{C} , $C[0, 1]$). The most important Polish space is the Baire space ω^ω , that is the space of infinite sequence of integers. The family of Borel sets, of a polish space P , is the smallest family of subsets of P which contains open sets and is closed under complements and countable unions. A set E of a polish space P is an analytic set if it is a continuous image of the Baire space ω^ω . Another equivalent definition say that E is an analytic set if it is the projection of a Borel set $F \subset \omega^\omega \times P$ on P . It is easy to construct analytic sets. Let $L \subset A^*$, and let L^* be the monoid generated by L . Replace star operation $*$ by ω operation, then L^ω is an analytic set. If L is finite L^ω is compact. If L is not finite L is countable, so we can enumerate elements of $L = \{u_0, u_1, \dots, u_n, \dots\}$. Define an application $\phi : \omega \longrightarrow A^*$ by $\phi(n) = u_n$. Extend ϕ in monoid morphism $\phi : \omega^* \longrightarrow A^*$. Next extend ϕ in continuous application $\phi : \omega^\omega \longrightarrow A^\omega$. Since the graph of ϕ is closed, then L^ω is analytic as projection of a closed set. In 1988 Louveau showed that there exists an L such that L^ω is not Borel. Unfortunately, he only proved the existence of a such L , he didn't give effectively such a L . His work remains unpublished. An analytic complete set is an analytic set so that any other analytic set can be obtained by continuous inverse image of it. In 2000, Finkel showed that a very simple context free language L is such that L^ω is analytic complete [33]. Finally in 2001, Finkel showed that one can define an ω -rational relation R such that R is analytic complete (in particular R is not Borel) [31]. From this, and using the Post correspondance problem, Finkel discovered new undecidability results about ω -rational relations and gave another proof of the undecidability results of Sakarovitch and Frougny [32].

In this paper an ω -rational function is an (everywhere defined) application $f : A^\omega \longrightarrow B^\omega$ whose graph is an ω -rational relation. The ω -rational functions are of Baire class 2. Baire proves the following theorem.

Theorem 1 *A function f is not of class 1 if and only if there exists a closed nonempty set F such that the restriction of f to F has no point of continuity.*

We prove the automaton version of this theorem.

Theorem 2 *An ω -rational function is not of class 1 if and only if there exists a closed non-empty set F recognized by a Büchi automaton such that the restriction of f to F has no point of continuity.*

The original proof of Baire uses transfinite induction [5, 25]. The proof presented in [53, 47] is Hausdorff's proof; we will give a detailed proof of it. The characterization theorem of Baire appears as a corollary of the analysis of Δ_2^0 sets in an uncountable complete separable metric space. A Δ_2^0 set is a set which is both F_σ (countable union of closed sets) and G_δ (countable intersection of open sets). The analysis of Δ_2^0 sets uses a transfinite derivation over closed sets which is of the same kind of Cantor's derivation. Recall that Cantor discovered countable ordinals iterating in a transfinite way the operation of elimination of the isolated points of a closed set of reals (see Kechris Louveau [48]).

In fact our theorem is just a remark : when we restrict Hausdorff's derivation to ω -regular sets, it stops the derivation at an integer (a greatest fixpoint). This was remarked by the first author in 1986, who, in addition, showed a connection between an old separation theorem and work of Arnold and Nivat [4] about theory of parallelism.

Hausdorff's result is a first step in the study of Wadge's classes of Borel sets [105]. Wadge's degrees of Borel sets are essentially well ordered and the type order of the hierarchy is an old uncountable ordinal studied first by Veblen [102]. It is usual to present Wadge's degrees with games [103]. The restriction of the Wadge's hierarchy to ω -regular sets gives Wagner's hierarchy [106]. This is easily seen with Büchi Landweber's result on games such that the winning set is an ω -regular set [18, 100]. The type order of Wagner's hierarchy is the countable ordinal ω^ω . Our proof is of the same type of combinatorial proofs appearing in Wagner's paper [106].

This separation result can be extended to all Wagner classes [83, 84], this is easy using well known things from descriptive set theory and Büchi Landweber's result on game [18]. On this subject one can also study the work of Barua [6]. These results are also automata analogue of effective results of Louveau [60] which give classical results in the plane [76, 62].

For more on Wagner's hierarchy, we refer the reader to the works of Kaminski [46], Carton and Perrin [22], Wagner [106], Selivanov [79], Staiger [92, 93]. It turns out that the topological invariants for Wagner's classes can be described with the algebra of finite monoids, see Carton and Perrin [22], Wilke [109] and Perrin and Pin [69]. For more on Wadge's hierarchy we refer the reader to the papers of Wadge [103, 105], the book of Kechris [47], and works from Louveau [60], Saint Raymond [77], Duparc [27], Finkel [35], Ressayre [26].

For recent problems in theory of parallelism one can see [11].

Now we return to Elgot Mezei's decomposition theorem. A left sequential machine which reads infinite words is a continuous function. The idea to read from left to right in a right sequential finite state machine suggests non determinism. Moreover, if we work on infinite words rather than finite words, this suggests discontinuity and the Baire hierarchy. If an ω -rational function is not of Baire class 1, one can find a rational tree (tree with a finite number of subtrees) whose set of infinite branches is a Perfect set P (closed set without isolated points [53]) and the restriction of f to P has no point of continuity. This may be interesting, even for finite words.

If the graph of $f : A^\omega \rightarrow B^\omega$ is recognized by a Büchi automaton on the product alphabet $A \times B$ we say that f is a synchronous function. Recently we have shown that one can decide if

a synchronous function is Baire class 1 [20]. Our proof is topological and it is an easy corollary of Sierpinski [81] and Landweber [54]. In the present paper we would like to obtain some missing links with works by Beal, Carton, Choffrut, Frougny, Michel, Prieur, Sakarovitch. They have given more algorithmic proofs [23, 9, 38, 39, 70, 71, 8, 21]. Talks with Finkel and Carton have given us the impression that for an ω -rational function, being of Baire class 1 is an undecidable property.

This paper is addressed to both computer scientists or set theorists and analysts. We hope that our presentation will be useful for computer scientists. For example, it may help to understand recent results of Duparc [28] and Lecomte [57]. On the other hand we expect that a descriptive set theorist will learn automata theory through our examples. He may solve some definability problems about sets recognized by tree automata.

This paper is organized as follows. In sections 2, 3, 4, 5 we present some definitions and properties from automata theory and descriptive set theory. In section 6 we present an example which may be useful to understand the result of Baire. In section 7, we present the difference hierarchy and we give a detailed proof of Hausdorff's result in section 8. In section 9, we give the proof of Baire's result. In section 10, we prove the automaton version of Baire's result. In section 11, we present briefly the Wadge's game and separation games; we think that this sheds light about results of sections 8 and 10. Finally, we start the discussion about relations between Hausdorff's analysis of Δ_2^0 sets, ordinals, transfinite induction and applications of computer science.

2 Automata on infinite words

2.1 infinite words

For the concepts introduced in this section we refer the reader to [7, 29, 69].

Let ω be the set of natural numbers (the first infinite ordinal). Complement of a set E will be noted \bar{E} . Let A be a finite alphabet or countable alphabet ($A = \omega$). All alphabets that we consider will have at least two letters. A finite word u over the alphabet A is a finite sequence of elements of A . The set of finite words on A will be called A^* . The length (number of letters) of a word u will be noted $|u|$. A particular word is the empty word ϵ , $|\epsilon| = 0$. As usual $A^+ = A^* - \{\epsilon\}$. With concatenation, A^* is a monoid with unit element ϵ .

An infinite word α over alphabet A is an infinite sequence of elements of A :

$\alpha = \alpha(0)\alpha(1)\dots\alpha(n)\dots$. The set of infinite words on the alphabet A will be noted A^ω . We note $\alpha[n]$ the finite word formed with the n first letters of the infinite word α , $\alpha[0] = \epsilon$, $\alpha[1] = \alpha(0)$. The set A^ω , viewed as a product of infinitely many copies of A with the discrete topology, is a metrizable space :

$$d(\alpha, \beta) = \begin{cases} 1/2^n \text{ with } n = \min\{i \in \omega \mid \alpha(i) \neq \beta(i)\} & \text{if } \alpha \neq \beta \\ 0 & \text{if } \alpha = \beta \end{cases}$$

The collection $(uA^\omega)_{u \in A^*}$ is a countable basis of clopen sets for this topology. Recall that if A is finite then (A^ω, d) is a compact metric space. If $A = \omega$, then (ω^ω, d) is a complete metric space, known as the Baire space, which is not compact.

The prefix ordering is called $<$. A finite word $u \in A^*$ is a prefix of the finite word $v \in A^*$ (resp infinite word $\alpha \in A^\omega$) if there exists a finite word $w \in A^*$ (resp infinite word $\beta \in A^\omega$) so that

$v = u.w$ (resp $\alpha = u.\beta$).

2.2 Automata on infinite words

Definition 1 A Büchi automaton \mathcal{A} is a 5-tuple : $\mathcal{A} = \langle A, Q, I, T, F \rangle$, where A is a finite alphabet, Q is a finite set of states, $I \subset Q$ is the set of initial states, $T \subset Q \times A \times Q$ is the set of transitions and $F \subset Q$ the set of final states.

An infinite word $\alpha \in A^\omega$ is recognized by \mathcal{A} if there is $\beta \in Q^\omega$ such that :

$\beta(0) \in I, \forall n \in \omega, (\beta(n), \alpha(n), \beta(n+1)) \in T$ and $\beta(n) \in F$ for infinitely many n .

The set of words recognized by a Büchi automaton \mathcal{A} is noted $L^\omega(\mathcal{A})$.

Remark 1 Instead of Büchi automaton one can say automaton with Büchi's acceptance.

T can be viewed as a partial function $\delta : Q \times A \rightarrow \mathcal{P}(Q)$ where $\delta(p, a) = \{q \in Q \mid (p, a, q) \in T\}$. Function δ can be extended to $\delta : Q \times A^* \rightarrow \mathcal{P}(Q)$ by $\delta(p, ua) = \delta(\delta(p, u), a)$ where u is a finite word and a a letter and $\delta(p, \epsilon) = p$.

An infinite path c in \mathcal{A} is an infinite word $c = c(0)c(1)...c(n)... \in (Q \times A \times Q)^\omega$ such that $\forall n \in \omega, c(n) \in T$. For each $n, c(n)$ is of the form $c(n) = (\beta(n), \alpha(n), \beta(n+1))$. This will be denoted by the following graphical notation of path.

$$c = \beta(0) \xrightarrow{\alpha(0)} \beta(1) \xrightarrow{\alpha(1)} \beta(2) \xrightarrow{\alpha(2)} \dots$$

The infinite word $\alpha \in A^\omega, \alpha = \alpha(0)\alpha(1)\dots\alpha(n)\dots$, is the label of the path c . Let us note $\text{Infinity}(c)$ as the set of states which appears infinitely many times in c . A path c is said to be successful if $\beta(0) \in I$ and $\text{Infinity}(c) \cap F \neq \emptyset$. Note that an infinite word α is recognized by \mathcal{A} if there is a successful path c in \mathcal{A} of label α .

An automaton is called deterministic if it has a unique initial state and for each state p and each letter a there exists at most one transition $(p, a, q) \in T$. Consequently the transition partial function δ can be viewed as $\delta : Q \times A \rightarrow Q$. Function δ can be extended to $\delta : Q \times A^* \rightarrow Q$ by $\delta(p, ua) = \delta(\delta(p, u), a)$, where u is a finite word and a a letter and $\delta(p, \epsilon) = p$. Then for all infinite word α there exists at most one path c of label α .

Example 1 Let \mathcal{A} be the deterministic Büchi's automaton on alphabet $A = \{0, 1\}$, with states $Q = \{0, 1\}$, initial states $I = \{0\}$, final states $F = \{1\}$ and transitions $T = \{(0, 0, 0), (0, 1, 1), (1, 0, 1), (1, 1, 1)\}$. Figure 1 gives the representation of \mathcal{A} . This automaton recognizes the set

$$\mathbb{O} = \{\alpha \in 2^\omega \mid \exists m \alpha(m) = 1\}.$$

If we takes $F = \{0\}$ then this automaton recognizes the complement of \mathbb{O} :

$$\tilde{\mathbb{O}} = \{\alpha \in 2^\omega \mid \forall m \alpha(m) = 0\}.$$

Example 2 Let \mathcal{B} be the deterministic Büchi automaton on alphabet $A = \{0, 1\}$, with states $Q = \{0, 1\}$, initial states $I = \{0\}$, final states $F = \{1\}$ and transitions $T = \{(0, 0, 0), (0, 1, 1), (1, 0, 0), (1, 1, 1)\}$

Figure 2 gives the representation of \mathcal{B} . Let $\mathbb{Q} = \{\alpha \in 2^\omega \mid \exists m \forall n \geq m \alpha(n) = 0\}$. This automaton recognizes the complement of \mathbb{Q} :

$$\tilde{\mathbb{Q}} = \{\alpha \in 2^\omega \mid \forall m \exists n > m \alpha(n) = 1\}.$$

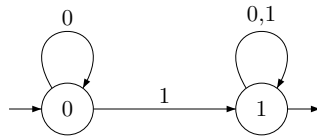


Fig. 1: The open set

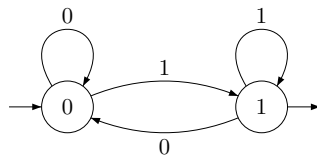


Fig. 2: The set reset automaton, a deterministic Buchi automaton which recognizes the G_δ set homeomorphic to Baire space ω^ω

Example 3 Let \mathcal{C} be the non deterministic Büchi's automaton on alphabet $A = \{0,1\}$, with states $Q = \{0,1,2\}$, initial states $I = \{0,1\}$, final states $F = \{0,2\}$ and transitions $T = \{(0,0,0), (1,0,1), (1,1,1), (1,1,2), (2,0,2)\}$

Figure 3 gives the representation of \mathcal{C} . Let $\mathbb{Q} = \{\alpha \in 2^\omega \mid \exists m \forall n \geq m \alpha(n) = 0\}$, \mathbb{Q} is a countable dense subset of 2^ω . The automaton \mathcal{C} recognizes \mathbb{Q} .

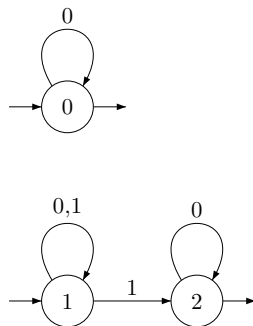


Fig. 3: A non deterministic automaton which recognizes the countable dense set $\mathbb{Q} = \{\alpha \in 2^\omega \mid \exists m \forall n \geq m \alpha(n) = 0\}$

Definition 2 A Muller automaton \mathcal{A} is a 5-tuple : $\mathcal{A} = \langle A, Q, I, T, \mathcal{F} \rangle$, where A is a finite alphabet, Q is a finite set of states, $I \subset Q$ is the set of initial states, $T \subset Q \times A \times Q$ is the set of

transitions and $\mathcal{F} \subset \mathcal{P}(Q)$.

An infinite word $\alpha \in A^\omega$ is recognized by \mathcal{A} if there is an infinite path c of label α so that $\text{Infinity}(c) \in \mathcal{F}$.

Example 4 Let again \mathcal{B} be the deterministic automaton of example 2 and take $\mathcal{F} = \{\{0\}\}$. Then this automaton recognizes \mathbb{Q} .

If we take $\mathcal{F} = \{\{1\}, \{0, 1\}\}$ then this automaton recognizes $\check{\mathbb{Q}}$.

2.3 S1S : the monadic second order theory of one successor

We now define the terms, atomic formulas, and formulas of S1S the monadic theory of one successor. Let \mathcal{V} be a set of variables, its elements noted by x, y, z, \dots , the constant symbol 0 and a unary function symbol s (as successor). We define the set of the terms \mathcal{T} by :

- i) A variable is a term.
- ii) 0 is a term.
- iii) if $t \in \mathcal{T}$ then $s(t) \in \mathcal{T}$.

Let \mathcal{P} be another set of variables. Its variables are noted $\mathcal{X}, \mathcal{Y}, \mathcal{Z}, \dots$ and two predicate symbols $=, \in$. Atomic formulas are of the form $t = t'$ or $t \in \mathcal{X}$ where $(t, t') \in \mathcal{T}^2$ and $\mathcal{X} \in \mathcal{P}$.

Definition 3 A formula of S1S is defined as follows :

- i) An atomic formula is in S1S.
- ii) If $\phi \in \text{S1S}$ then $\neg\phi, \forall x\phi, \exists x\phi$ and $\forall \mathcal{X}\phi, \exists \mathcal{X}\phi$ are in S1S, where $x \in \mathcal{V}, \mathcal{X} \in \mathcal{P}$.
- iii) If ϕ and ψ are in S1S, then $\phi \wedge \psi, \phi \vee \psi, \phi \Rightarrow \psi$ and $\phi \Leftrightarrow \psi$ are in S1S.

The interpretation of these formulas is the following : the variables of \mathcal{V} are interpreted as natural numbers, symbol 0 as $0 \in \omega$, symbol s as the successor function in ω , the variables of \mathcal{P} as subsets of ω and the predicate symbols as equality relation and membership relation in ω . If each integer is assimilated to a singleton and each subset of ω to an infinite word over alphabet $\{0, 1\}$, then a S1S formula $\phi(\mathcal{X}_1, \mathcal{X}_2, \dots, \mathcal{X}_n)$, with $\mathcal{X}_1, \mathcal{X}_2, \dots, \mathcal{X}_n$ free variables defines an ω -language $L_\phi \subset \underbrace{2^\mathbb{N} \times \dots \times 2^\mathbb{N}}_n$.

An ω -language L is said definable in S1S if there exists a formula ϕ in S1S such that $L = L_\phi$.

2.4 ω -regular sets

Recall the following result [100, 69] :

Theorem 3 for all ω -language L , the following assertions are equivalent :

- i) $L = \bigcup_{1 \leq i \leq n} A_i B_i^\omega$ where A_i, B_i are regular sets and $n \in \omega - \{0\}$.
- ii) $L = L^\omega(\mathcal{A})$, where \mathcal{A} is a non deterministic Büchi automaton.
- iii) $L = L^\omega(\mathcal{A})$, where \mathcal{A} is a deterministic Muller automaton.
- iv) L is definable in S1S.

The family of languages which verify the equivalent conditions of the preceding theorem are usually call the ω -regular sets. We denote by $\text{Rec}(A^\omega)$ the class of ω -regular sets on alphabet A . Following Louveau 1987, we denote by **Auto** the family of ω -regular sets. ω -regular sets are denoted by ω regular expression [69].

Example 5

$$\alpha \in \mathbb{O} \Leftrightarrow \exists m \alpha(m) = 1$$

An ω regular expression for \mathbb{O} is $0^*1(0+1)^\omega$

$$\alpha \in \check{\mathbb{O}} \Leftrightarrow \forall m \alpha(m) = 0$$

An ω regular expression for $\check{\mathbb{O}}$ is 0^ω

$$\alpha \in \mathbb{Q} \Leftrightarrow \exists m \forall n \geq m \alpha(n) = 0$$

An ω regular expression for \mathbb{Q} is $(0+1)^*0^\omega$

$$\alpha \in \check{\mathbb{Q}} \Leftrightarrow \forall m \exists n > m \alpha(n) = 1$$

An ω regular expression for $\check{\mathbb{Q}}$ is $(0^*1)^\omega$

3 ω -rational relations

In this section, we introduce ω -rational relations which extend the notion of ω -languages (see [37, 40, 41, 56]).

Definition 4 A Büchi transducer \mathcal{T} is a 6-tuple : $\mathcal{T} = \langle A, B, Q, I, T, F \rangle$, where A and B are finite alphabets, Q is a finite set of states, $I \subset Q$ is the set of initial states, $T \subset Q \times A^* \times B^* \times Q$ is the finite set of transitions and $F \subset Q$ the set of final states.

An (infinite) path c in \mathcal{T} is an infinite word $c = c(0)c(1)\dots c(n)\dots \in (Q \times A^* \times B^* \times Q)^\omega$ such that $\forall n \in \omega c(n) \in T$.

So for each n , $c(n)$ is of the form $c(n) = (q_n, u_n, v_n, q_{n+1})$, with $u_n \in A^*$ and $v_n \in B^*$. This will be denoted by the following graphical notation of path :

$$c = q_0 \xrightarrow{u_0, v_0} q_1 \xrightarrow{u_1, v_1} q_2 \xrightarrow{u_2, v_2} \dots$$

Let $\alpha = u_0u_1\dots u_n\dots$ and $\beta = v_0v_1\dots v_n\dots$, (α, β) is the label of the path c . A path c is said to be successful if $q_0 \in I$ and $\text{Infinity}(c) \cap F \neq \emptyset$, where $\text{Infinity}(c)$ is still the set of states which appears infinitely many times in c . Let $\alpha \in A^* \cup A^\omega$ and $\beta \in B^* \cup B^\omega$, (α, β) is recognized by \mathcal{T} if there is a successful path c in \mathcal{T} of label (α, β) .

Remark 2 A path c of label (α, β) is called admissible if α and β are both infinite words. In [37] it is shown that for every finite Büchi transducer \mathcal{T} , it is possible to construct another one \mathcal{T}' so that every successful path in \mathcal{T}' is admissible and the paths that are both successful and admissible are the same in \mathcal{T} and \mathcal{T}' . In the sequel of this paper all the labels (α, β) will be in $A^\omega \times B^\omega$.

An ω -rational relation is a subset of $A^\omega \times B^\omega$ which is recognizable by a Büchi's transducer. An ω -rational function $f : A^\omega \rightarrow B^\omega$ is a function whose graph is an ω -rational relation. Recall that a left sequential function $f : A^* \rightarrow B^*$ is a function that can be realized by a deterministic automaton with output (sequential transducer). A left sequential function can be extended immediately to $f : A^\omega \rightarrow B^\omega \cup B^*$. If the image of f is in B^ω then this is an example of continuous ω -rational function. This is the case when the deterministic automaton with output realizing f output one letter when he read a letter. We call 1-sequential functions these functions and these functions will be used as strategy for player 2 later.

Example 6 Let \mathcal{T} be the Büchi transducer with $A = B = \{0, 1\}$, states $Q = \{1, 2, 3, 4, 5\}$, initial states $I = \{1, 3, 4\}$, final states $F = \{1, 3, 5\}$ and transitions

$$T = \{(1, (0, 0), 1), (1, (1, 1), 2), (2, (0, 0), 1), (2, (1, 1), 2), \\ (3, (1, 1), 3), (4, (0, 0), 4), (4, (1, 1), 4), (4, (0, 1), 5), (5, (1, 0), 5)\}$$

Figure 4 gives the representation of \mathcal{T} . This automaton recognizes the graph of function $S : 2^\omega \rightarrow 2^\omega$ defined by $S(\alpha) = \alpha$ if α has infinitely many 0's, $S(1^\omega) = 1^\omega$ and $S(u01^\omega) = u10^\omega$ for all $u \in 2^*$. Let $\mu_2 : 2^\omega \rightarrow [0, 1]$ defined by $\mu_2(\alpha) = \sum_{i=0}^\infty \frac{\alpha(i)}{2^{i+1}}$. One can easily check that $S(\alpha)$ is the lexicographic maximum of the binary representations of $\mu_2(\alpha)$ for all $\alpha \in 2^\omega$. S is known as normalization in base 2. In fact for any Pisot number θ , normalisation in base θ is an ω -rational function(see Frougny [39]).

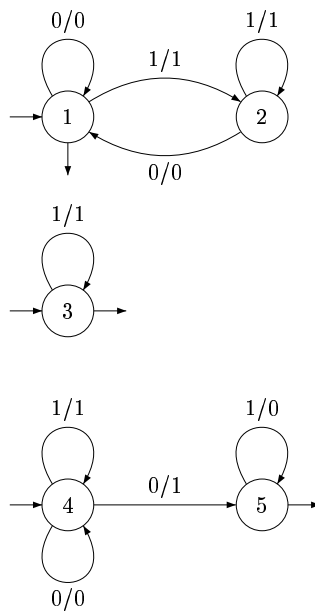


Fig. 4: Normalization in base 2

4 Borel sets in Polish spaces

For all of the topological concepts introduced in this section we refer the reader to [53, 47, 69, 87].

4.1 Ordinals

For a short and comprehensive presentation of ordinals we refer the reader to Srivastava [87]. We say that two sets E and F have the same cardinal if there is a bijection from E to F . We say

that two well-ordered sets E and F have the same ordinal if there is an order-preserving bijection from E to F . To each well-ordered set W we can associate a particular well-ordered set $t(W)$ called the type of W which is the ordinal associate to W . Results in the theory of ordinals use the axiom of choice and axiom of remplacement.

It is common in set theory to identify an ordinal with the set of its predecessors, i.e., $\alpha = \{\beta \mid \beta < \alpha\}$ and to identify the finite ordinals with the natural numbers. Here are the first ordinals $0, 1 = \{0\}, 2 = \{0, 1\}, 3 = \{0, 1, 2\} \dots n = \{0, 1, \dots, n - 1\}$ The successor of an ordinal α is the least ordinal $> \alpha$. An ordinal is **successor** if it is the successor of some ordinal, and it is **limit** if it is not 0 or successor.

The first infinite ordinal is $\omega = \{0, 1, 2, \dots, n, n + 1, \dots\}$, it is a limit ordinal, its successor is $\omega + 1 = \{0, 1, 2, \dots, n, n + 1, \dots, \omega\}$.

Next we have $\omega + 2, \dots, \omega + n, \dots, \omega + \omega = \omega.2, \dots, \omega.3, \dots, \omega.n, \dots, \omega.\omega = \omega^2, \dots, \omega^n, \dots, \omega^\omega$.

An ordinal is **countable** if its cardinal is countable. All ordinals we have seen are small countable ordinals. Let ω_1 be the set of countable ordinals, one can show that ω_1 is an uncountable well-ordered set and that its cardinality is lower or equal to 2^{\aleph} . **The Continuum hypothesis** says that the cardinality of ω_1 is equal to 2^{\aleph} .

4.2 The Borel hierarchy

Borel subsets of a topological space X are obtained from open sets using complementation and countable unions. When X is metrizable we can define the hierarchy of Borel sets of finite rank :

Definition 5 Let X be a metrizable space, for $n \in \omega - \{0\}$, we define by induction classes $\Sigma_n^0(X)$, $\Pi_n^0(X)$ and $\Delta_n^0(X)$:

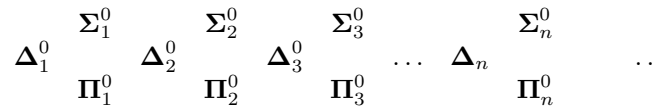
- $\Sigma_1^0(X) = G(X)$ the class of open sets of X
- $\Pi_n^0(X) = \{\check{A} \mid A \in \Sigma_n^0(X)\}$, where \check{A} is the complement of A .
- $\Sigma_{n+1}^0(X) = \{\cup_m A_m \mid A_m \in \Pi_n^0(X), m \in \omega\}$
- $\Delta_n^0(X) = \Sigma_n^0(X) \cap \Pi_n^0(X)$

In particular, we have :

- Π_1^0 is the class of closed sets.
- $\Sigma_2^0 = F_\sigma$ is the class of countable unions of closed sets.
- $\Pi_2^0 = G_\delta$ is the class of countable intersections of open sets.

One can prove that : $\Sigma_n^0 \cup \Pi_n^0 \subset \Delta_{n+1}^0$

This gives us the following picture where any class is contained in every class to the right of it :



The Borel hierarchy is also defined for transfinite levels $\xi < \omega_1$, but we shall not need them in the present study.

For all $n \in \omega$ the classes $\Sigma_n^0(X)$, $\Pi_n^0(X)$, $\Delta_n^0(X)$ are closed under finite unions and intersections, moreover $\Sigma_n^0(X)$ is closed under countable unions, $\Pi_n^0(X)$ closed under countable intersections and $\Delta_n^0(X)$ closed under complement. All these classes are closed by inverse image by continuous functions.

Example 7 The set \mathbb{O} is open but is not closed, i.e., $\mathbb{O} \in \Sigma_1^0$ and $\mathbb{O} \notin \Pi_1^0$.

We will see that the set \mathbb{Q} is F_σ but is not G_δ , i.e., $\mathbb{Q} \in \Sigma_2^0$ and $\mathbb{Q} \notin \Pi_2^0$.

Sets which are recognized by deterministic Büchi automaton are G_δ . One can see this easily as a deterministic automaton gives a continuous function $f : A^\omega \rightarrow Q^\omega$. Replace $q \notin F$ by 0 and $q \in F$ by 1. The set recognized by a deterministic Büchi automaton is the inverse image of \mathbb{Q} by a continuous function.

Sets which are recognized by deterministic Müller automaton are boolean combinations of sets which are recognized by deterministic Büchi automaton, so they are boolean combinations of Π_2^0 sets hence Δ_3^0 .

4.3 Polish spaces

A Polish space P is a separable topological space which admits a compatible metric d such as (P, d) is complete. A closed subset of a Polish space is Polish. An open subset of a Polish space is Polish. A G_δ subset of a Polish space is Polish. This is not true for F_σ . Recall the Baire theorem :

Theorem 4 Let X be a complete space, the intersection of countably many dense open sets in X is dense.

This is equivalent to say that in a complete space X , the union of countably many closed sets of empty interior has empty interior.

Lemma 5 The set \mathbb{Q} with the relative topology induced by the one of \mathbb{R} is not Polish.

Proof: (Saint Raymond) We have :

$$\mathbb{Q} = \bigcup_{n \in \omega} \{q_n\}$$

a countable union of closed sets. Suppose \mathbb{Q} was Polish then by the preceding theorem there must be an n such that $\{q_n\}$ has an nonempty interior, otherwise \mathbb{Q} would have an empty interior, hence will be empty. But every $\{q_n\}$ has an empty interior because \mathbb{Q} is dense in itself. Hence \mathbb{Q} can't be Polish. \square

In fact by Baire's theorem, every countable dense subset of a Polish space is not Polish. As a G_δ subset of a Polish space is Polish, every countable dense subset of a Polish space is not G_δ .

Remark 3 It is well known (for a descriptive set theorist) that every Polish space is homeomorphic to a G_δ set in a compact metric space. For example the Baire space ω^ω is homeomorphic to $\mathbb{Q} = \{\alpha \in 2^\omega \mid \forall m, \exists n > m, \alpha(n) = 1\}$. To see this, define an application $\varphi : \omega \rightarrow 2^*$ by $\varphi(n) = 0^n 1$. Notice that $\varphi(\omega) = 0^* 1$ is a regular prefix code. Extend φ in monoid morphism $\varphi : \omega^* \rightarrow 2^*$, $\varphi(\omega^*) = (0^* 1)^*$. Next extend φ in continuous one to one application called again $\varphi : \omega^\omega \rightarrow 2^\omega$. We have $\varphi(\omega^\omega) = (0^* 1)^\omega = \mathbb{Q}$. The set of infinite subsets of ω is homeomorphic to Baire space ω^ω .

When P is an uncountable Polish space , Borel hierarchy is strict. In the sequel P will be A^ω or $A^\omega \times B^\omega$ or $[a, b]$ with a and b reals.

4.4 Analytic sets and coanalytic sets

There exists another hierarchy beyond the Borel one, called the projective hierarchy, which is obtained from the Borel hierarchy by successive applications of operations of projection and complementation. We need just the first level of this hierarchy. Let $B \subseteq P \times \omega^\omega$, we will call $proj_P(B)$ the projection of B onto P , that is, $proj_P(B) = \{\alpha \in P / \exists \beta \in \omega^\omega (\alpha, \beta) \in B\}$.

A set $C \subseteq P$ is called analytic if there is a Borel set $B \subseteq P \times \omega^\omega$ such that $C = proj_P(B)$. A set $C \subseteq P$ is coanalytic if its complement is analytic. The class of analytic sets in P (resp. coanalytic) is called $\Sigma_1^1(P)$ (resp. $\Pi_1^1(P)$). Borel sets are analytic and coanalytic sets. The famous theorem of Suslin says that in Polish space P , if $B \subseteq P$ is analytic and coanalytic then B is Borel.

Existence of analytic sets which are not Borel is a kind of myth for descriptive set theorists. In 1905 Lebesgue said that the projection of Borel set in the plane was a Borel set. This was false as Suslin discovered in 1917. He called a projection of Borel set an analytic set. Here is the French evidence of Sierpinski [82]: “Par hasard j’étais présent au moment où Michel Souslin communiqua à M. Lusin sa remarque et lui donna le manuscrit de son premier travail”. Büchi commented the equivalence of theorem 3: “What looks like an analytic set (set recognized by a nondeterministic Büchi automaton) is in fact Borel set (a set recognized by a deterministic Müller automaton is a Δ_3^0 set)” [16]. An ω -rational relation is an analytic set of $A^\omega \times B^\omega$.

4.5 Complete sets

Recall the notion of completeness with regard to reduction by continuous functions. Let Γ be a class of sets in P Polish. We call $C \subseteq P$ Γ -complete if $C \in \Gamma$ and for any $B \in \Gamma$ there exists a continuous function $f : P \rightarrow P$, such that $B = f^{-1}(C)$.

Finding some simple examples of complete sets is an old tradition in descriptive set theory which goes back to Hurewicz [45] (see Louveau and Saint Raymond [62], Kechris [47]). It turns out that some simple combinatorial examples of complete sets are recognized by automata.

Example 8 We will see that $\mathbb{O} = \{\alpha \in 2^\omega \mid \exists m \alpha(m) = 1\}$ is Σ_1^0 -complete, hence $\check{\mathbb{O}} = \{\alpha \in 2^\omega \mid \forall m \alpha(m) = 0\}$ is Π_1^0 -complete.

We will see that the set $\mathbb{Q} = \{\alpha \in 2^\omega \mid \exists m \forall n \geq m \alpha(n) = 0\}$ is Σ_2^0 -complete, hence $\check{\mathbb{Q}} = \{\alpha \in 2^\omega \mid \forall m \exists n > m \alpha(n) = 1\}$ is Π_2^0 -complete. In fact a countable dense subset of $[0, 1]$ is Σ_2^0 -complete Hurewicz [45], and this true in all uncountable Polish space.

Here is some well known examples of coanalytic-complete sets :

The set **WO**, as **Well Order**, that is the set of $E \subset \omega \times \omega$ such that E is the graph of Well ordered linear order, is Π_1^1 -complete, Lusin Sierpinski (1923).

The set **K(Q)** of compact sets of $[0, 1]$ which are included in $\mathbb{Q} \subset \mathbb{R}$, is Π_1^1 -complete, Hurewicz [45].

The set **DIFF** of differentiable functions in $C[0, 1]$ is Π_1^1 -complete, Mazurkiewicz(1933).

The set **WF** of well founded trees, that is trees on ω which have no infinite branches is Π_1^1 -complete.

The set **NDIFF** of continuous functions on $[0, 1]$ which are nowhere differentiable functions in $C[0, 1]$ is Π_1^1 -complete, Mauldin(1979).

Finkel showed in [31] that there exists an ω -rational relation which is Σ_1^1 -complete.

Wadge has proved (i) (ii) :

For any n , $C \subseteq \omega^\omega$ is Σ_n^0 -complete (resp. Π_n^0 -complete) set iff $C \in \Sigma_n^0 \setminus \Pi_n^0$ (resp. $C \in \Pi_n^0 \setminus \Sigma_n^0$).

Definition 6 Let $L \subset A^*$ we define $Lim(L) = \{\alpha \in A^\omega \mid \forall n \in \omega, \exists m \geq n \text{ such that } \alpha[m] \in L\}$.

The following lemma is classical(see [54], [56], [90]).

Lemma 6 Let $M \subset A^\omega$ then M is Π_2^0 if and only if there exists $L \subset A^*$ so that $M = Lim(L)$.

Example 9 $\check{Q} = \{\alpha \in 2^\omega \mid \forall m \exists n > m \alpha(n) = 1\}$ is Π_2^0 because $\check{Q} = Lim(L)$ with L a regular set denoted by the regular expression $(0 + 1)^*1$.

\mathbb{Q} is not equal to $Lim(L)$ because \mathbb{Q} is not G_δ .

This lemma is equivalent to the following. The set $\{\alpha \in 2^\omega \mid \forall m, \exists n > m, \alpha(n) = 1\}$ is a Π_2^0 complete set [83], [93] . In fact we have more : this set is strategically complete [62]. We will see it in the game section.

5 Baire's classes

Definition 7 Definition of Baire's classes for functions is recursive.

Let X, Y be metrizable spaces and $f : X \rightarrow Y$ be a function.

- i) f is of Baire class 0 if f is continuous.
- ii) f is of Baire class $(n + 1)$ if f is the pointwise limit of a sequence of Baire class n functions for each integer $n \geq 0$.

The Lebesgue, Hausdorff, Banach theorem makes the connexion with the Borel hierarchy :

Theorem 7 Let X, Y be metrizable spaces with Y separable. Then for all $n \geq 2$, $f : X \rightarrow Y$ is of Baire class n iff for all open V include in Y , $f^{-1}(V)$ is in $\Sigma_{n+1}^0(X)$.

Remark 4 Note that this result holds for $n = 1$ if in addition X is separable and either $X = A^\omega$ or $Y = \mathbb{R}$.

Remark 5 If $Y = B^\omega$, as $\{uB^\omega \mid u \in B^*\}$ is a countable basis of clopen sets, it is equivalent to prove that $f : X \rightarrow Y$ is of Baire class n iff for all finite word u , $f^{-1}(uB^\omega)$ is in $\Delta_{n+1}^0(X)$.

Lemma 8 An ω -rational function is of Baire class 2.

Proof: We have to shows that for all finite word u , $f^{-1}(uB^\omega)$ is in Δ_3^0 . But

$$f^{-1}(uB^\omega) = proj_{A^\omega}(\text{graph}(f) \cap (A^\omega \times uB^\omega))$$

We see that $A^\omega \times uB^\omega$ is in $Rec((A \times B)^\omega)$. The family of ω -rational relation of $A^\omega \times B^\omega$ is closed by intersection with an ω -regular set of $(A \times B)^\omega$ and if $R \subset A^\omega \times B^\omega$ is an ω -rational relation then $proj_{A^\omega}(R)$ is an ω -regular set of A^ω . We have seen that an ω -regular set is a boolean combination of Π_2^0 sets, hence is a Δ_3^0 set. \square

(i) Jean Saint Raymond has proved, that this valid for any uncountable Polish space.

(ii) See [47] page 205 for a discussion of the statement :

Let $C \subseteq \omega^\omega$, if $C \in \Pi_1^1 \setminus \Sigma_1^1$ then C is Π_1^1 -complete.

Example 10 The characteristic function of $\mathbb{Q} \subset \mathbb{R}$, $1_{\mathbb{Q}}$ is a classical example of Baire class two function which is not of Baire class one [5, 25]. The function $1_{\mathbb{Q}}$ is the pointwise limit of the sequence $(f_m)_{m \in \mathbb{N}}$ where $f_m(x) = \lim_{n \rightarrow \infty} \cos^{2m}(n!\pi x)$. So $1_{\mathbb{Q}}$ is of Baire class two. If $1_{\mathbb{Q}}$ was a Baire class one function, then the inverse image of an open set by $1_{\mathbb{Q}}$ will be a $\Sigma_2^0(\mathbb{R})$ set, hence the inverse image of a closed set by $1_{\mathbb{Q}}$ will be a $\Pi_2^0(\mathbb{R})$ set. But as $1_{\mathbb{Q}}^{-1}(\{1\}) = \mathbb{Q}$ is not $\Pi_2^0(\mathbb{R})$, because \mathbb{Q} is a countable dense subset, so $1_{\mathbb{Q}}$ is not of Baire class one.

Let X and Y be metrizable spaces with Y compact, and $f : X \rightarrow Y$, it is well known that f is continuous if and only if its graph is closed.

Proposition 9 Let $f : A^\omega \rightarrow B^\omega$ be a function of Baire class n , then its graph is $\Pi_{n+1}^0(A^\omega \times B^\omega)$.

Proof: First notice that if $f(\alpha) = \beta$ then $\forall u \in B^*$, $(\beta \in uB^\omega \Rightarrow f(\alpha) \in uB^\omega)$ and if $f(\alpha) \neq \beta$ then $\exists u \in B^*$ such that $\beta \in uB^\omega$ and $f(\alpha) \notin uB^\omega$. Thus :

$$(\alpha, \beta) \in \text{graph}(f) \Leftrightarrow f(\alpha) = \beta \Leftrightarrow [\forall u \in Y^* (\beta \in uB^\omega \Rightarrow f(\alpha) \in uB^\omega)]$$

As f is of Baire class n , for any word u in B^* , $\{\alpha \in A^\omega \mid f(\alpha) \in uB^\omega\}$ is in $\Delta_{n+1}^0(A^\omega)$ and $\{\beta \in B^\omega \mid \beta \in uB^\omega\}$ is in $\Delta_1^0(B^\omega)$. Thus for all fixed $u \in B^*$, $\{(\alpha, \beta) \in A^\omega \times B^\omega \mid (\beta \in uB^\omega \Rightarrow f(\alpha) \in uB^\omega)\}$ is in $\Delta_{n+1}^0(A^\omega \times B^\omega)$ and $\{(\alpha, \beta) \in A^\omega \times B^\omega \mid \forall u \in B^* (\beta \in uB^\omega \Rightarrow f(\alpha) \in uB^\omega)\}$ is in $\Pi_{n+1}^0(A^\omega \times B^\omega)$. \square

When A and B are finite alphabets we have :

Proposition 10 Let f be a function $f : A^\omega \rightarrow B^\omega$.

If $\text{graph}(f) \in \Delta_2^0(A^\omega \times B^\omega)$ then f is of Baire class 1.

Proof: If $\text{graph}(f) \in \Delta_2^0(A^\omega \times B^\omega)$ then for all open $U \subset B^\omega$, $\text{graph}(f) \cap (A^\omega \times U) \in \Delta_2^0(A^\omega \times B^\omega)$. As A^ω and B^ω are compact spaces, $\text{graph}(f) \cap (A^\omega \times U)$ is K_σ (countable unions of compact sets) and then $f^{-1}(U)$ is K_σ as the continuous projection of $\text{graph}(f) \cap (A^\omega \times U)$ on A^ω . \square

Let $\text{cont}(f)$ denote the set of points of continuity of a function f .

Proposition 11 Let X and Y be separable metric spaces and $f : X \rightarrow Y$. Then $\text{cont}(f)$ is $\Pi_2^0(X)$.

Proof: We define the oscillation of f at α by :

$$\text{osc}_f(\alpha) = \inf\{\text{diam}(f(U)) \mid U \text{ open containing } \alpha\}$$

where $\text{diam}(E)$ is diameter of a set E .

It is easy to see that $\text{osc}_f(\alpha) = 0$ iff f is continuous at α .

Let $X_\varepsilon = \{\alpha \in X \mid \text{osc}_f(\alpha) < \varepsilon\}$ we show that it is an open set.

Let α be in X_ε .

$$(\text{osc}_f(\alpha) < \varepsilon) \Rightarrow (\exists U \text{ open containing } \alpha \text{ so that } \text{diam}(f(U)) < \varepsilon).$$

Then

$$\forall \beta \in U \text{ osc}_f(\beta) \leq \text{diam}(f(U)) < \varepsilon.$$

And X_ε is open.

So $\text{cont}(f) = \{\alpha \in X^\omega \mid \text{osc}_f(\alpha) = 0\} = \bigcap_{n>0} X_{1/n}$ is $\Pi_2^0(X)$. \square

6 An example

In this section we give an example of a function f such that $graph(f)$ is definable in $S1S$ hence is of Baire class 2. One can easily see that $graph(f) \in \mathbf{\Pi}_2^0$ and the set of points of continuity of f is a dense open set (hence dense $\mathbf{\Pi}_2^0$). However, f is not of Baire class 1. This example was constructed in 1996 by Tison and the first author and was unpublished. The idea of A. Louveau (1996), is the following : take the characteristic function of the Cantor set on the interval $[0, 1]$. The function is continuous on the complement of the triadic Cantor set, which is a dense open set. Since the graph of f is $\mathbf{\Delta}_2^0$ set, it follows from proposition 10 that f is of Baire class 1. So we have to modify our function on the Cantor set to succeed. Now we will work on space $3^\omega = \{0, 1, 2\}^\omega$. The Cantor set is $(0 + 2)^\omega$

$$\alpha \in (0 + 2)^\omega \leftrightarrow \forall n(\alpha(n) = 0 \vee \alpha(n) = 2)$$

and its complement is the dense open set $(0 + 2)^*1(0 + 1 + 2)^\omega$

$$\alpha \in (0 + 2)^*1(0 + 1 + 2)^\omega \leftrightarrow \exists n \alpha(n) = 1$$

First define $g : \{0, 1\}^\omega \longrightarrow \{0, 1\}^\omega$ by :

$g(\alpha) = \alpha$, if $\alpha \in (0^*1)^\omega$ (α has infinitely many 1's).

If $\alpha \in (0 + 1)^*10^\omega$ (α has a non zero finite number of 1's) replace each letter of α by 0 except the last 1 which remains the same, this gives $g(0^{k_0}10^{k_1} \dots 10^{k_p}10^\omega) = 0^{k_0+k_1+\dots+k_p+p}10^\omega$.

Finally if $\alpha = 0^\omega$, $g(0^\omega) = 1^\omega$.

Figure 5 shows a deterministic Büchi automaton which recognizes $graph(g)$. This implies that $graph(g) \in \mathbf{\Pi}_2^0$. We will see that g has no point of continuity and is not of Baire class 1.

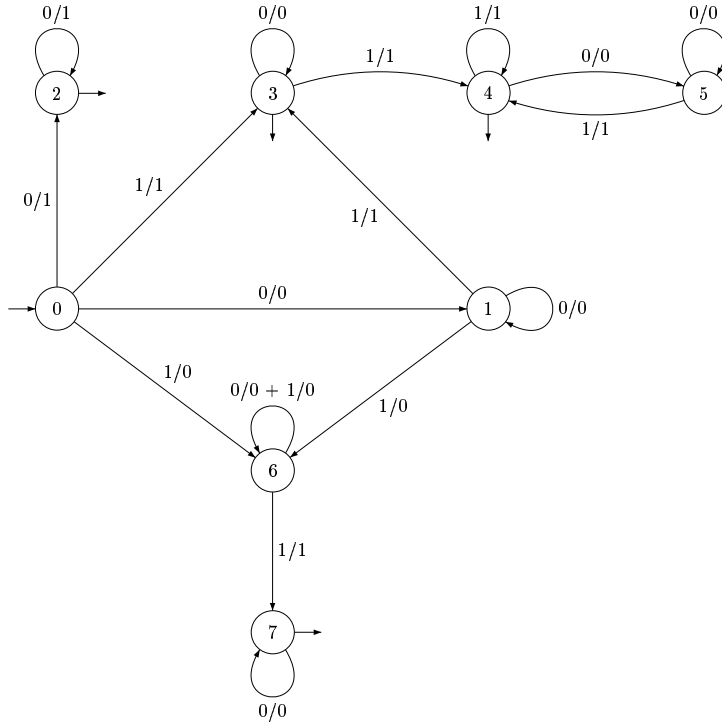


Fig. 5: a totally discontinuous synchronous function

Let's see that g has no point of continuity.

If α has infinitely many 1's, $\alpha = 0^{k_0}10^{k_1}10^{k_2}1 \dots 10^{k_p} \dots$, where for each p , $k_p \geq 0$, sequence $\alpha_n = 0^{k_0}10^{k_1}10^{k_2}1 \dots 10^{k_n}10^\omega$ tends to α .

But $g(0^{k_0}10^{k_1}10^{k_2}1 \dots 10^{k_n}10^\omega) = 0^{k_0+k_1+\dots+k_n+n}10^\omega$ and sequence $g(\alpha_n)$ converges to 0^ω .

Suppose now that α has a non zero finite number of 1's, $\alpha = 0^{k_0}10^{k_1} \dots 10^{k_p}10^\omega$ with $p \geq 0$. Sequence $\alpha_n = 0^{k_0}10^{k_1} \dots 10^{k_p}10^n10^\omega$ tends to α . We have $g(\alpha) = 0^{k_0+k_1+\dots+k_p+p}10^\omega$, $g(0^{k_0}10^{k_1} \dots 10^{k_p}10^n10^\omega) = 0^{k_0+k_1+\dots+k_p+p+n+1}10^\omega$ and sequence $g(\alpha_n)$ converges to 0^ω .

If $\alpha = 0^\omega$, α is limit of the sequence $\alpha_n = 0^n10^\omega$. $g(0^\omega) = 1^\omega$, $g(0^n10^\omega) = 0^n10^\omega$ and the sequence $g(\alpha_n)$ converges to 0^ω .

One can also see that $g^{-1}(011(0+1)^\omega) = 011(0^*1)^\omega$, which is Π_2^0 but not Σ_2^0 . So g is not of Baire class one.

Now we can define our function $f : \{0, 1, 2\}^\omega \longrightarrow \{0, 1\}^\omega$ by :

- $f(\alpha) = 0^\omega$ if $\alpha \in (0 + 2)^*1(0 + 1 + 2)^\omega$ (α has at least one 1)
- $f(\alpha) = \alpha$ if $\alpha \in (0^*2)^\omega$ (α has no 1 and infinitely many 2's)
- $f(\alpha) = 0^n20^\omega$ if $\alpha \in (0 + 2)^*20^\omega$ (α has no 1 and a non zero finite number of 2's) and satisfies, $\alpha \in (0 + 2)^n20^\omega$
- $f(\alpha) = 1^\omega$ if $\alpha = 0^\omega$.

One can see in figure 6 that $graph(f)$ is recognized by a deterministic Büchi automaton. This implies that $graph(g) \in \Pi_2^0$.

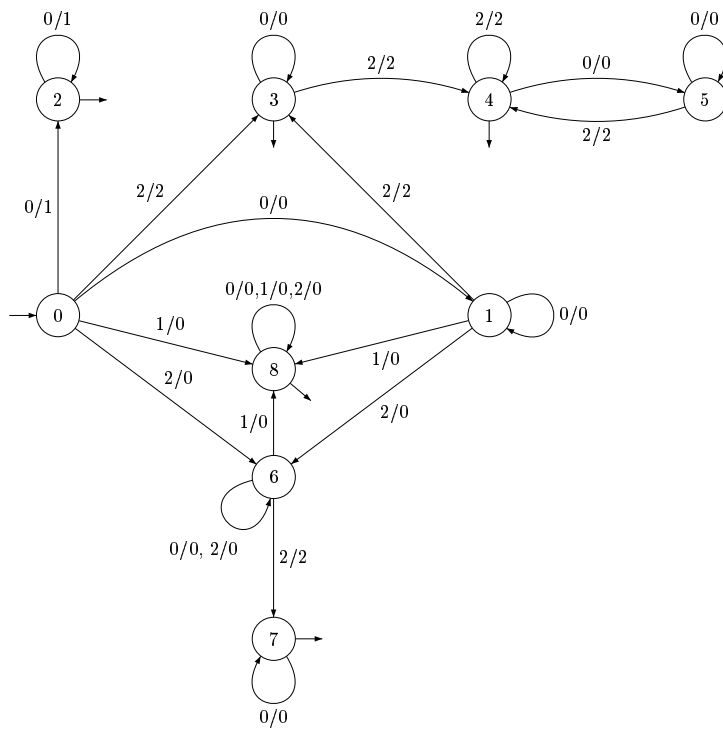


Fig. 6: a dense open set of points of continuity

Notice that f is not of Baire class 1 because $f^{-1}(22(0 + 1 + 2)^\omega) = 22(0^*2)^\omega$ which is Π_2^0 but not Σ_2^0 . Moreover f is continuous because it is constant on dense open set $(0 + 2)^*1(0 + 1 + 2)^\omega$. It is easy to see that f has no point of continuity on $(0 + 2)^\omega$. The proof is similar to that concerning g , we just have to replace 1 by 2.

In his thesis (1899) Baire has proved that a function is of Baire class 1 if and only if for every non empty closed set F the restriction of this function to F has a point of continuity. Our example is ω -rational function which is not of Baire class 1 and we have found an ω -regular closed set $F = (0 + 2)^\omega$ such that restriction of f to F has no point of continuity. We will see that our example is generic. If f is an ω -rational function which is not Baire class 1, then there exists a closed F , recognized by a Büchi automaton, such that restriction of f to F has no point of continuity.

The next sections will be devoted to the classical proof of Baire's result.

7 Differences hierarchy

In this section, we introduce the class of differences. Let ξ be an ordinal. Any ξ can be written in a unique way $\xi = \lambda + n$ with λ a limit ordinal or 0 and $n \in \omega$. Parity of ξ is by definition that of n .

Definition 8 Let X be a set, ξ an ordinal and $\langle B_\eta : \eta < \xi \rangle$ an increasing sequence of subsets of X :

$$D_\xi(\langle B_\eta : \eta < \xi \rangle) = \{x \in X \mid \exists \eta < \xi, x \in B_\eta \text{ and if } \eta_0 = \inf(\{\eta \mid x \in B_\eta\}) \\ \text{the parity of } \xi \text{ and of } \eta_0 \text{ are different} \}$$

Then :

$$\begin{aligned} D_1(\langle B_0 \rangle) &= B_0 \\ D_2(\langle B_0, B_1 \rangle) &= B_1 \setminus B_0 \\ D_3(\langle B_0, B_1, B_2 \rangle) &= (B_2 \setminus B_1) \cup B_0 \\ &\dots \\ D_\omega(\langle B_n : n \in \omega \rangle) &= \cup_{n \in \omega} (B_{2n+1} \setminus B_{2n}) \\ D_{\omega+1}(\langle B_n : n \leq \omega \rangle) &= (B_\omega \setminus \cup_{n \in \omega} B_n) \cup (\cup_{n \in \omega} (B_{2n+2} \setminus B_{2n+1})) \cup B_0 \end{aligned}$$

Let Γ be a family of subsets of X , $D_\xi(\Gamma)$ will be the family of all $D_\xi(\langle B_\eta : \eta < \xi \rangle)$ where $\langle B_\eta : \eta < \xi \rangle$ is an increasing sequence of length ξ of elements of Γ . In the sequel we will be particularly interested in the classes $D_\xi(\Sigma_1^0)$ and their dual classes $\check{D}_\xi(\Sigma_1^0) = \{B \mid \check{B} \in D_\xi(\Sigma_1^0)\}$, where ξ is a countable ordinal.

Example 11 Let $O_k = \{\alpha \in 2^\omega \mid \exists n_1, \exists n_2, \dots, \exists n_k, n_1 < n_2 < \dots < n_k, \alpha(n_1) = \alpha(n_2) = \dots = \alpha(n_k) = 1\}$ with $k > 0$, O_k is an ω -regular open set. We have an increasing sequence of dense open sets $O_n \subset O_{n-1} \subset O_{n-2} \dots O_2 \subset O_1$ and $D_n(\langle O_n, \dots, O_1 \rangle)$ is a $D_n(\Sigma_1^0)$ which in fact is a $D_n(\Sigma_1^0)$ -complete set. Figure 7 gives a deterministic Büchi automaton which recognizes $(O_1 \setminus O_2) \cup O_3$.

Example 12 Let G_n be the following sequence of decreasing dense G_δ sets :

$$\begin{aligned} G_1 &= ((0 + 1)^* 1)^\omega = (0^* 1)^\omega \quad \alpha \in G_1 \Leftrightarrow \alpha \text{ has an infinite numbers of 1.} \\ G_2 &= ((0 + 1)^* 11)^\omega \quad \alpha \in G_2 \Leftrightarrow \alpha \text{ has an infinite numbers of 11.} \end{aligned}$$

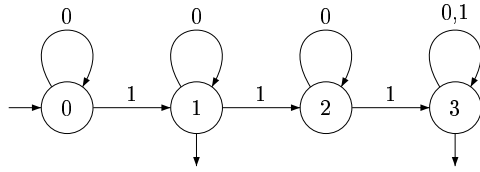


Fig. 7: A deterministic Büchi automaton which recognizes a $D_3(\Sigma_1^0)$ -complete set.

$G_3 = ((0 + 1)^*111)^\omega$ $\alpha \in G_3 \Leftrightarrow \alpha$ has an infinite numbers of 111.

...

$G_n = ((0 + 1)^*1^n)^\omega$ $\alpha \in G_n \Leftrightarrow \alpha$ has an infinite numbers of 1^n

Taking the complement of these sets we obtain an increasing sequence

$$F_1 \subset F_2 \subset \dots F_{n-1} \subset F_n$$

of meager F_σ sets, $D_n(\langle F_1, \dots, F_n \rangle)$ is a $D_n(\Sigma_2^0)$ which in fact is a $D_n(\Sigma_2^0)$ -complete set. Figure 8 gives a deterministic Müller automaton which recognizes $(F_3 \setminus F_2) \cup F_1$, with $\mathcal{F} = \{\{0\}, \{0, 1, 2\}\}$.

The loops accessible from the initial state are

$L = \{\{0\}, \{0, 1\}, \{0, 1, 2\}, \{0, 1, 2, 3\}, \{3\}\}$, these are essential loops of the automaton [106].

Classify these essential loops in

$L_+ = \{\{0\}, \{0, 1, 2\}\}$ and $L_- = \{\{0, 1\}, \{0, 1, 2, 3\}, \{3\}\}$. We have the inclusion

$\{0\} \subset \{0, 1\} \subset \{0, 1, 2\} \subset \{0, 1, 2, 3\}$, that is to say $\{+\} \subset \{-\} \subset \{+\} \subset \{-\}$. But we have not some $\{-\} \subset \{+\} \subset \{-\} \subset \{+\}$ inclusion. These are the $+$ chain and $-$ chain of Wagner.

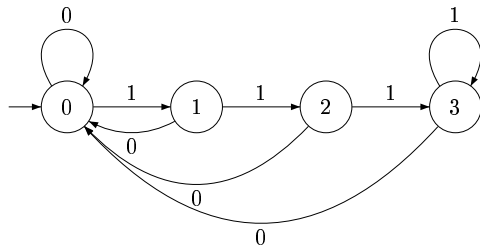


Fig. 8: A deterministic Müller automaton which recognizes a $D_3(\Sigma_2^0)$ -complete set.

It is well known that in an uncountable Polish space hierarchy of $D_\xi(\Sigma_\eta^0)$, $\xi < \omega_1$, $\eta < \omega_1$ is strict (see [47]).

Lemma 12 Inclusion $D_\xi(\Sigma_1^0) \subset \Delta_2^0$ holds, for all countable ordinal ξ .

Proof: First note that $\check{D}_\xi(\Sigma_1^0) \subset D_{\xi+1}(\Sigma_1^0)$. So, we have only to prove that $D_\xi(\Sigma_1^0) \subset \Sigma_2^0$. This is clear since differences $B_1 \setminus B_0$ of open sets are Σ_2^0 and Σ_2^0 is closed under countable unions. \square

8 Hausdorff's derivation

Recall that A^ω has a countable basis for the topology. Thus we can extract countable covering from each open covering. As a consequence, if ω_1 is the first non countable ordinal, and if $(F_\xi)_{\xi < \omega_1}$ is a decreasing sequence of closed sets, it is stationary from a certain rank on, i.e., $\exists \eta < \omega_1$ such that $F_\xi = F_\eta$, $\forall \xi \geq \eta$. For more details we refer to [47].

We now define Hausdorff's derivation (see [53]).

Definition 9 Let M and N be two subsets of A^ω . Sequence of closed sets $(F_\xi)_{\xi < \omega_1}$ is defined by transfinite induction.

$$\begin{aligned} F_0 &= A^\omega \\ F_{\xi+1} &= \overline{F_\xi \cap M} \cap \overline{F_\xi \cap N} \\ F_\lambda &= \bigcap_{\xi < \lambda} F_\xi, \text{ if } \lambda \text{ is a limit ordinal} \end{aligned}$$

The sequence $(F_\xi)_{\xi < \omega_1}$ is a decreasing sequence of closed sets, so we know that there exists a smaller $\eta < \omega_1$ such that $F_\eta = \overline{F_\eta \cap M} \cap \overline{F_\eta \cap N}$.

Lemma 13 Let F be a closed set. Then $F = \overline{F \cap M} \cap \overline{F \cap N}$ if and only if $F = \overline{F \cap M} = \overline{F \cap N}$.

Proof: Indeed, if $F = \overline{F \cap M} \cap \overline{F \cap N}$ then $F \subset \overline{F \cap M}$. Moreover $F \cap M \subset F$ and $\overline{F \cap M} \subset F$ since F is closed. \square

Lemma 14 F_η is the largest closed set such that $F = \overline{F \cap M} \cap \overline{F \cap N}$.

Proof: Let F be a closed set such that $F = \overline{F \cap M} \cap \overline{F \cap N}$. We will show that $F \subset F_\eta$ by transfinite induction.

We have $F \subset F_0$.

If $F \subset F_\xi$ then $F \cap M \subset F_\xi \cap M$, so $F = \overline{F \cap M} \subset \overline{F_\xi \cap M}$.

Similarly $F = \overline{F \cap N} \subset \overline{F_\xi \cap N}$ thus $F \subset \overline{F_\xi \cap M} \cap \overline{F_\xi \cap N} = F_{\xi+1}$.

If λ is a limit ordinal, and if $\forall \xi < \lambda$, $F \subset F_\xi$ $\forall \xi < \lambda$ then $F \subset \bigcap_{\xi < \lambda} F_\xi = F_\lambda$. \square

We define the following sequences $(M_\xi)_{\xi < \omega_1}$ and $(N_\xi)_{\xi < \omega_1}$:

$$\begin{aligned} M_0 &= M & N_0 &= N \\ M_{\xi+1} &= M_\xi \cap \overline{N_\xi} & N_{\xi+1} &= N_\xi \cap \overline{M_\xi} \\ M_\lambda &= \bigcap_{\xi < \lambda} M_\xi & N_\lambda &= \bigcap_{\xi < \lambda} N_\xi \quad \text{if } \lambda \text{ is a limit ordinal.} \end{aligned}$$

Lemma 15 $\forall \xi < \omega_1$, $M_\xi = M \cap F_\xi$ and $N_\xi = N \cap F_\xi$. In particular, if η is the smallest countable ordinal such that $F_\eta = \overline{F_\eta \cap M} = \overline{F_\eta \cap N}$, then η is also the smallest countable ordinal such that $\overline{M_\eta} = \overline{N_\eta}$.

Proof: We argue again by a transfinite induction.

For $\eta = 0$ we have $M_0 = M = M \cap A^\omega = M \cap F_0$, and also $N_0 = N \cap F_0$.

If $M_\xi = M \cap F_\xi$ and $N_\xi = N \cap F_\xi$, then

$$M_{\xi+1} = M_\xi \cap \overline{N_\xi} = M \cap F_\xi \cap \overline{N \cap F_\xi} = M \cap F_\xi \cap \overline{M \cap F_\xi} \cap \overline{N \cap F_\xi}.$$

So

$$M_{\xi+1} = M \cap F_\xi \cap F_{\xi+1} = M \cap F_{\xi+1}.$$

For λ limit, if $M_\xi = M \cap F_\xi$ for $\xi < \lambda$, then :

$$M_\lambda = \bigcap_{\xi < \lambda} M_\xi = \bigcap_{\xi < \lambda} (M \cap F_\xi) = M \cap (\bigcap_{\xi < \lambda} F_\xi) = M \cap F_\lambda.$$

□

Lemma 16 Let M and N be two $\mathbf{\Pi}_2^0$ subsets of A^ω and F_η the largest closed set such that

$$F_\eta = \overline{F_\eta \cap M} \cap \overline{F_\eta \cap N}$$

Then $F_\eta \neq \emptyset \Rightarrow M \cap N \neq \emptyset$. In particular $F_\eta = \emptyset$ if M and N are two disjoint $\mathbf{\Pi}_2^0$.

Proof: Sets $M_\eta = M \cap F_\eta$, $N_\eta = N \cap F_\eta$ are $\mathbf{\Pi}_2^0$ sets. So, by lemma 6, there exists $U \subset A^*$ et $V \subset A^*$ so that : $Lim(U) = M_\eta$ and $Lim(V) = N_\eta$.

If $F_\eta \neq \emptyset$, as $F_\eta = \overline{M_\eta} = \overline{N_\eta}$, we can find $\alpha_1 \in M_\eta$ and $u_1 \in U$ such that u_1 is a prefix of α_1 . Since every open ball containing α_1 meets N_η , we can find $\beta_1 \in N_\eta$ so that u_1 is a prefix of β_1 . But $N_\eta = Lim(V)$, thus we can find $v_1 \in V$ such that v_1 is a prefix of β_1 and u_1 is a strict prefix of v_1 . Finally since every ball containing β_1 meet M_η we can find $\alpha_2 \in M_\eta$ so that v_1 is a prefix of α_2 , and since $M_\eta = Lim(U)$ we can find $u_2 \in U$ prefix of α_2 so that v_1 is a strict prefix of u_2 . Then $u_1 < v_1 < u_2$. Iterating this process, we construct two sequences (u_i) , (v_i) such that

$$u_1 < v_1 < u_2 < v_2 < \dots < u_i < v_i < u_{i+1} < v_{i+1} < \dots$$

Note $\alpha = lim(u_i) = lim(v_i)$, $\alpha \in Lim(U) = M_\eta \subset M$ and $\alpha \in Lim(V) = N_\eta \subset N$. □

Theorem 17 (Hausdorff) Let M and N be two disjoint $\mathbf{\Pi}_2^0$ subsets of A^ω . Then :

- (i) There exists $\zeta < \omega_1$ and a set in $D_\zeta(\mathbf{\Sigma}_1^0)$ which separates M from N .
- (ii) In particular, $\mathbf{\Delta}_2^0 = \bigcup_{\xi < \omega_1} D_\xi(\mathbf{\Sigma}_1^0)$.

Proof: Let $P_\xi = F_\xi \setminus \overline{M \cap F_\xi}$, $R_\xi = F_\xi \setminus \overline{N \cap F_\xi}$. We have :

$$F_\xi \setminus F_{\xi+1} = F_\xi \setminus (\overline{M \cap F_\xi} \cap \overline{N \cap F_\xi}) = (F_\xi \setminus \overline{M \cap F_\xi}) \cup (F_\xi \setminus \overline{N \cap F_\xi}) = P_\xi \cup R_\xi.$$

Let η be the smallest ordinal such that $F_\eta = F_{\eta+1}$. We have :

$$A^\omega = (\bigcup_{\xi < \eta} (F_\xi \setminus F_{\xi+1})) \cup F_\eta.$$

By lemma 16, as M and N are two disjoint $\mathbf{\Pi}_2^0$, $F_\eta = \emptyset$, thus

$$A^\omega = (\bigcup_{\xi < \eta} P_\xi) \cup ((\bigcup_{\xi < \eta} R_\xi).$$

Moreover, $\forall \xi < \omega_1$, $P_\xi = F_\xi \setminus \overline{M \cap F_\xi} \subset F_\xi \setminus (M \cap F_\xi) = F_\xi \setminus M \subset A^\omega \setminus M$.

So as $\bigcup_{\xi < \eta} P_\xi \subset A^\omega \setminus M$ we have $M \subset A^\omega \setminus (\bigcup_{\xi < \eta} P_\xi)$ hence $M \subset \bigcup_{\xi < \eta} R_\xi$.

Also $(\bigcup_{\xi < \eta} R_\xi) \subset A^\omega \setminus N$, i.e., $(\bigcup_{\xi < \eta} R_\xi) \cap N = \emptyset$.

So $\bigcup_{\xi < \eta} R_\xi$ separates M from N . As it is a countable union of disjoint $D_2(\mathbf{\Pi}_1^0)$ sets it is easy to see that $\bigcup_{\xi < \eta} R_\xi$ is in $D_\zeta(\mathbf{\Sigma}_1^0)$ for some $\zeta < \omega_1$.

If M is in $\mathbf{\Delta}_2^0$, set $N = M$. M and N are disjoint $\mathbf{\Pi}_2^0$ sets and there exists $\zeta < \omega_1$ and a set in $D_\zeta(\mathbf{\Sigma}_1^0)$ which separates M from N . Thus M is in $D_\zeta(\mathbf{\Sigma}_1^0)$. So we have proved that $\mathbf{\Delta}_2^0 \subset \bigcup_{\xi < \omega_1} D_\xi(\mathbf{\Sigma}_1^0)$ and the opposite inclusion has been proved in lemma 12. □

Corollary 18 *Let M and N be two subsets of A^ω and let F_η be the biggest closed set so that $F_\eta = \overline{F_\eta \cap M} = \overline{F_\eta \cap N}$. Then M and N can be separated by a $\mathbf{\Delta}_2^0$ set iff $F_\eta = \emptyset$.*

Proof: In the proof of theorem 17 we showed that if Hausdorff's derivation stops to the empty set then M and N are separated by a $\mathbf{\Delta}_2^0$. Conversely, if M and N are separated by a $D_\zeta(\mathbf{\Sigma}_1^0)$ set C for some $\zeta < \omega_1$, we can operate the Hausdorff derivation on C and \check{C} . As C and \check{C} are disjoint $\mathbf{\Pi}_2^0$ sets this derivation goes on to the empty set, as the derivation on M and N . \square

Our proof is directly extracted from Kuratowski [53] and documents of Louveau. The result is true in uncountable Polish spaces. Our originality comes from lemma 16; this is in such a form that the first author discovered this problem [4]. One can see how automata can be used to analyse problems of parallelism in [11]. Instead of lemma 16, a descriptive set theorist would use there Baire's theorem : a countable intersection of dense open set is dense. If M and N are two disjoint $\mathbf{\Pi}_2^0$ and if F is a non empty closed set such that $F = \overline{F \cap M} \cap \overline{F \cap N}$, then F is complete as a closed set in complete space A^ω . Sets $F \cap M$ and $F \cap N$ are G_δ in F , so they cannot be both dense since they are disjoint.

9 Baire's theorem

Definition 10 *A set E is called nowhere dense if its closure \overline{E} has an empty interior. A set E is called meager if it is included in a countable union of nowhere dense sets.*

Baire's theorem asserts that in a polish space [69] a countable intersection of dense open sets is still dense or equivalently that a countable union of nowhere dense closed sets has empty interior. We have seen that for any function f , the set of discontinuity points of f is in $\mathbf{\Sigma}_2^0(X)$ set. In the case of a Baire class 1 function, we have more.

Proposition 19 *Let X and Y be two separable metric spaces and $f : X \rightarrow Y$ a Baire class 1 function. The set of discontinuity points of f is a meager set in $\mathbf{\Sigma}_2^0(X)$.*

Proof: Let (V_n^X) (resp (V_n^Y)) be a countable basis of X (resp Y). A point $\alpha \in X$ is a discontinuity point of f if there exists n such that $f(\alpha) \in V_n^Y$ and $f(V_m^X) \not\subseteq V_n^Y$ for each m , i.e. $\alpha \in f^{-1}(V_n^Y)$ but not in its interior $int(f^{-1}(V_n^Y))$. Thus the set of discontinuity points of f is $\cup_{n \in \omega} f^{-1}(V_n^Y) \setminus int(f^{-1}(V_n^Y))$. As f is Baire class 1, all these sets are $\mathbf{\Sigma}_2^0(X)$ and have empty interior : they are all meager and a countable union of meager sets is still meager. \square

Theorem 20 *Let P be a Polish space, Y a separable metric space and $f : P \rightarrow Y$. The following statements are equivalent :*

- (i) f is Baire class 1.
- (ii) For all nonempty closed set $F \subset P$, the restriction $f|_F$ of f to F has a point of continuity.

Proof: (i) \Rightarrow (ii)

Set F is a closed set of a Polish space so F is Polish too. Since f is Baire class 1, so is $f|_F$, thus, by proposition 19, its discontinuity points form a meager subset of F , hence by Baire category theorem, cannot be equal to F .

(ii) \Rightarrow (i)

Suppose that f is not Baire class 1. There exists an open subset U of Y such that $f^{-1}(U) \notin \mathbf{\Sigma}_2^0(X)$. As Y is a metric space, U can be written as a countable union of closed sets $U = \cup_{n \geq 0} H_n$. Let

H be the complement of U in Y . Suppose that for each n there exists $A_n \in \Delta_2^0$ which separates $f^{-1}(H_n)$ from $f^{-1}(H)$. Then :

$$f^{-1}(U) = \cup_{n \geq 0} f^{-1}(H_n) = \cup_{n \geq 0} A_n$$

and $f^{-1}(U)$ will be Σ_2^0 .

So there exists an n such that $f^{-1}(H_n)$ and $f^{-1}(H)$ can't be separated by a Δ_2^0 set. We now apply Hausdorff's derivation on $f^{-1}(H_n)$ and $f^{-1}(H)$. Let F be the biggest closed set such that $F = \overline{F} \cap f^{-1}(H_n) = \overline{F} \cap f^{-1}(H)$. By corollary 18, F is not empty and we will show that f has no point of continuity in F .

Let $\alpha \in \text{cont}(f|_F)$. If $f(\alpha) \notin H$, as H is closed we can find an open set B_α in F containing α such that $f(B_\alpha) \cap H = \emptyset$. This contradicts density of $f^{-1}(H)$ in F thus $f(\alpha) \in H$. By the same argument $f(\alpha) \in H_n$, but $H \cap H_n = \emptyset$. So $f|_F$ has no point of continuity. \square

Example 13 We have seen that the characteristic function of $\mathbb{Q} \subset \mathbb{R}$, $1_{\mathbb{Q}}$ is of Baire class two. Using the previous theorem we can see that $1_{\mathbb{Q}}$ is not Baire class one since it's nowhere continuous.

10 Application to automata theory

Lemma 21 Let M and N be two languages in $\text{Rec}(A^\omega)$. Then Hausdorff's derivation on M and N stops in a finite number of steps, i.e.

$$\exists n \in \omega \text{ such that } F_n = \overline{F_n} \cap M = \overline{F_n} \cap N.$$

Proof: Let \mathcal{A} (Resp. \mathcal{B}) be a deterministic Müller automaton which recognizes M (Resp. N). Construct the cartesian product $\mathcal{A} \times \mathcal{B}$, this is also a deterministic automaton. Compute the essential loops of the product and classify them in $L_{\mathcal{A}}$, $L_{\mathcal{B}}$, where $L_{\mathcal{A}}$ (Resp. $L_{\mathcal{B}}$) is the set of essential loops such that projection on states of \mathcal{A} (Resp. \mathcal{B}) is a positive essential loop of \mathcal{A} (Resp. \mathcal{B}), see example 12. Note that $L_{\mathcal{A}}$, $L_{\mathcal{B}}$ are disjoint if and only if M and N are disjoint. Let α in M , then there exists a essential loop F which recognizes α , and one can see that α in M is in the closure of N if and only if a loop of $L_{\mathcal{B}}$ is accessible from the loop F in $L_{\mathcal{A}}$. Process as follows : eliminate from $L_{\mathcal{A}}$ (Resp. $L_{\mathcal{B}}$) loops from which every loop in $L_{\mathcal{B}}$ (Resp. $L_{\mathcal{A}}$) is inaccessible, and iterate the work. As there is a finite number of loops, the process will stop in a finite number of steps. At the end, if $L_{\mathcal{A}}$ and $L_{\mathcal{B}}$ are not empty, then from every loop in $L_{\mathcal{A}}$ (Resp. $L_{\mathcal{B}}$) you can access to some loop in $L_{\mathcal{B}}$ (Resp. $L_{\mathcal{A}}$). \square

Example 14 Let \mathbb{Q}_0 the subset of 2^ω of infinite words with finite even number of 1 and \mathbb{Q}_1 the subset of 2^ω of infinite words with finite odd number of 1. This two sets are dense, Σ_2^0 -complete sets. The Hausdorff's derivation stops after one iteration as $F_0 = 2^\omega$ and $F_1 = \overline{\mathbb{Q}_0} \cap 2^\omega = \overline{\mathbb{Q}_0} \cap 2^\omega = 2^\omega = F_0$.

Corollary 22 One can decide if two languages in $\text{Rec}(A^\omega)$ are separated by a Δ_2^0 set. Moreover if they are separated by a Δ_2^0 set, they are separated by an ω -regular Δ_2^0 set, i.e., a finite difference of ω -regular open sets.

Proof: Let M and N two languages in $\text{Rec}(A^\omega)$. Using corollary 18, M and N are separated by a Δ_2^0 set iff Hausdorff's derivation stop to the empty set, and by lemma 21 it comes in a finite

number of steps.

By closure property of ω -regular sets, the F_n which appear in Hausdorff's derivation are ω -regular and emptiness problem is decidable for ω -regular sets. \square

Corollary 23 *Let $f : A^\omega \rightarrow B^\omega$ be an ω -rational function. If f is not Baire class 1 then there exists a nonempty closed set F which is recognizable by a Büchi automaton such that f restricted to F has no point of continuity.*

Proof: If f is not Baire class 1 then there exists $u \in B^*$ such that $f^{-1}(uB^\omega) \notin \Delta_2^0(X)$. So there exists $v \in B^*$ with $|u| = |v|$ such that $f^{-1}(uB^\omega)$ and $f^{-1}(vB^\omega)$ cannot be separated by a $\Delta_2^0(X)$ set. Thus, as in the proof of theorem 20, the Hausdorff derivation on $f^{-1}(uB^\omega)$ and $f^{-1}(vB^\omega)$ produces, in finite time, a closed set F such that $f|_F$ has no point of continuity. As $f^{-1}(uB^\omega)$ and $f^{-1}(vB^\omega)$ are recognizable by a Büchi automaton so is F by closure properties of the family $\text{Rec}(A^\omega)$. \square

11 Games

For this section we refer the reader to Hurewicz [45], Lusin [64], Sierpinski [82], Büchi [18], Landweber [54], Trakhtenbrot Barzdin [100], Wadge [103, 104, 105], Saint Raymond [76], Lindner Staiger [56], Wagner [106], Moschovakis [65], Louveau [58, 59, 60], Kechris Louveau [48], Kechris Louveau Woodin [50], Louveau Saint Raymond [62], Staiger [90], Saint Raymond [77], Barua [6], Weirauch [108], Staiger Weirauch [93], Simonnet [83, 84], Hertling Weirauch [44], Kechris [47], Selivanov [79], Srivastava [87], Carton Perrin [22], Duparc [27], Duparc Finkel Ressayre [26], Perrin Pin [69].

11.1 Büchi Landweber and Martin

Games are useful in descriptive set theory. They allow to give alternative proofs of some theorems like Cantor Bendixon theorem and Wadge theorem :

For any n , $C \subseteq \omega^\omega$ is Σ_n^0 -complete (resp. Π_n^0 -complete) set iff $C \in \Sigma_n^0 \setminus \Pi_n^0$ (resp. $C \in \Pi_n^0 \setminus \Sigma_n^0$).

Definition 11 *A game in $A^\omega \times B^\omega$ between two players I and II can be defined as follows :*

Player I plays $\alpha(0) \in A$, then player II plays $\beta(0) \in B$, I plays $\alpha(1) \in A$, and so on. The result of the game is the couple of infinite words (α, β) of $A^\omega \times B^\omega$.

Let G be a subset of $A^\omega \times B^\omega$. Player II wins the game if (α, β) is in G .

Definition 12 *We have :*

– *A strategy for player I is an application $\phi : B^* \rightarrow A$. Intuitively I plays following ϕ :*

$\alpha(0) = \phi(\epsilon)$, $\alpha(1) = \phi(\beta(0))$, $\alpha(2) = \phi(\beta(0)\beta(1))$, etc.

The application ϕ can be extended on infinite words in a continuous application (1-lipschitz)

$\psi : A^\omega \rightarrow B^\omega$ by

$$\phi(\beta) = \phi(\epsilon)\phi(\beta(0))\phi(\beta(0)\beta(1)) \dots \phi(\beta(0)\beta(1) \dots \beta(n)) \dots$$

- A strategy for player II is an application $\psi : A^+ \rightarrow B$. Intuitively II plays following ψ : $\beta(0) = \psi(\alpha(0))$, $\beta(1) = \psi(\alpha(0)\alpha(1))$, $\beta(2) = \psi(\alpha(0)\alpha(1)\alpha(2))$, etc.
The application ψ can be extended on infinite words in a continuous application (1-lipschitz) $\psi : A^\omega \rightarrow B^\omega$ by :

$$\psi(\alpha) = \psi(\alpha(0))\psi(\alpha(0)\alpha(1)) \dots \psi(\alpha(0)\alpha(1) \dots \alpha(n)) \dots$$

A strategy ϕ for player I is a winning strategy if for any β in B^ω $(\phi(\beta), \beta)$ is not in G . A strategy ψ for player II is a winning strategy if for any α in A^ω $(\alpha, \psi(\alpha))$ is in G .

Definition 13 A game is called determined if one of the two players has a winning strategy.

It is well known that Borel's games are determined : Martin theorem [47]. Sometimes the proofs using games can be adapted to automata theory thanks to Büchi Landweber's theorem [7, 69, 84, 85]

Theorem 24 (Büchi Landweber 1969) If the set G is an ω -regular subset of $A^\omega \times B^\omega$, one of the players have a winning automaton strategy : either player I has a winning strategy ϕ such that the tree ϕ is a rational tree, or either player II has a winning strategy ψ which is a 1-sequential function. There is an algorithm which, given an ω -regular set G , (1) determines which player has a winning strategy, and (2) constructs a winning automaton strategy. In particular if one of the players has a winning strategy, he also has a winning automaton strategy [100, 18].

11.2 Wadge Game

Let $X \subset A^\omega$, $Y \subset A^\omega$, in the Wadge game $G(X, Y)$ player II wins iff $(\alpha \in X \Leftrightarrow \beta \in Y)$, that is to say the winning set for II is $G = (X \times Y) \cup (\check{X} \times \check{Y})$. A winning strategy for II gives a continuous function (a Lipschitz map) φ such that $\varphi^{-1}(Y) = X$. A winning strategy for I gives a continuous function (a Lipschitz map) ψ such that $\psi^{-1}(\check{X}) = Y$. If X and Y are Borel, Wadge game is determined so we have the dichotomy :
either there exists φ continuous such that $\varphi^{-1}(Y) = X$ either there exists ψ continuous such that $\psi^{-1}(\check{X}) = Y$.

11.3 Wadge's hierarchy, Wagner's Hierarchy, Louveau's hierarchy

Let $X \subset A^\omega$, Wadge has defined the class of Wadge of X by :

$$[X]_W = \{Y \subset A^\omega \mid \exists \varphi : A^\omega \longrightarrow A^\omega \text{ continuous } Y = \varphi^{-1}(X)\}$$

The notation W on the right gives in French : W A Droite. WADge has given a complete description of all Wadge classes of Borel set. We have $[\mathbb{O}]_W = \Sigma_1^0$, $[\mathbb{Q}]_W = \Sigma_2^0$. Let Γ be a class of Wadge then $\check{\Gamma} = \{\check{X} \mid X \in \Gamma\}$ is the class dual to Γ , and $\Delta(\Gamma) = \Gamma \cap \check{\Gamma}$, if $\Gamma = \check{\Gamma}$ then Γ is a selfdual class and if $\Gamma \neq \check{\Gamma}$ then Γ is a nonselfdual class. The classes Σ_ξ^0 , Π_ξ^0 , $D_\eta(\Sigma_\xi^0)$, $\xi < \omega_1$, $\eta < \omega_1$ are examples of nonselfdual Wadge classes of Borel sets.

Let $X \subset Rec(A^\omega)$, Wagner has defined the class of Wagner of X by :

$$w[X] = \{Y \subset A^\omega \mid \exists \varphi : A^\omega \longrightarrow A^\omega \text{ sequential } Y = \varphi^{-1}(X)\}$$

The notation W on the left gives in French : W A Gauche. WAGner has given a complete description of all Wagner classes of $Rec(A^\omega)$. One can also defined selfdual and non selfdual Wagner classes. Wagner proves (in fact maybe he didn't know Wadge at this time) that Wadge's hierarchy restricted to ω -regular set is Wagner's hierarchy : $\Gamma_W \cap \mathbf{Auto} =_W \Gamma$. The first normal form's theorems of this type for ω -regular sets are from Landweber [54] :

An ω -regular set X which is open is the inverse image of \mathbb{O} by a 1-sequential function. An ω -regular set X which is closed is the inverse image of $\check{\mathbb{O}}$ by a 1-sequential function or equivalently X is the set of infinite branches of a rational tree of A^* . From this one can deduce that synchronous continuous are exactly the sequential function with bounded delay, Trakhtenbrot [99, 100]. If an ω -rational function is not of Baire class 1, one can find a rational tree (tree with a finite number of subtrees) whose set of infinite branches is a Perfect set P (closed set without isolated points [53]) and the restriction of f to P has no point of continuity.

An ω -regular set which is F_σ is the inverse image of \mathbb{Q} by a 1-sequential function. An ω -regular set X which is G_δ is the inverse image of $\check{\mathbb{Q}}$ by a 1-sequential function, or equivalently X is recognized by a deterministic Büchi automaton, $X = Lim(L)$ with L a regular set. If f is synchronous then $Cont(f)$ is definable in $S1S$ so one can't constructs a deterministic Büchi automaton which recognizes $Cont(f)$.

In February 1987 Louveau used the following formalism to denote Landweber's theorems. Call

$$\Sigma_1^0(\mathbf{Auto}) = \{X \subset A^\omega \mid X = \varphi^{-1}(\mathbb{O}), \varphi : A^\omega \longrightarrow 2^\omega \text{ 1-sequential}\}$$

$$\Sigma_2^0(\mathbf{Auto}) = \{X \subset A^\omega \mid X = \varphi^{-1}(\mathbb{Q}), \varphi : A^\omega \longrightarrow 2^\omega \text{ 1-sequential}\}$$

we have

$$\Sigma_1^0 \cap \mathbf{Auto} = \Sigma_1^0(\mathbf{Auto})$$

$$\Sigma_2^0 \cap \mathbf{Auto} = \Sigma_2^0(\mathbf{Auto})$$

If an ω -rational function is not of Baire class 1, one can find a a Perfect set P which is $\Pi_1^0(\mathbf{Auto})$ such that the restriction of f to P has no point of continuity. If f is synchronous then $Cont(f)$ is $\Pi_2^0(\mathbf{Auto})$.

Louveau was working in effective set theory (see Moschovakis [65]). He has defined a hierarchy of effective Borel sets of ω^ω , the Δ_1^1 sets of ω^ω . Louveau proves that Wadge's hierarchy restricted to Δ_1^1 sets is Louveau's hierarchy. His theorem gives for example [59, 60] :

$$\Sigma_1^0 \cap \Delta_1^1 = \Sigma_1^0(\Delta_1^1)$$

$$\Sigma_2^0 \cap \Delta_1^1 = \Sigma_2^0(\Delta_1^1)$$

$$\Sigma_n^0 \cap \Delta_1^1 = \Sigma_n^0(\Delta_1^1)$$

where one of the equivalent definitions of $\Sigma_1^0(\Delta_1^1)$, $\Sigma_2^0(\Delta_1^1)$ is

$$\Sigma_1^0(\Delta_1^1) = \{X \subset \omega^\omega \mid X = \varphi^{-1}(\mathbb{O}), \varphi : \omega^\omega \longrightarrow 2^\omega \text{ } \varphi \text{ strategy } \Delta_1^1\}$$

$$\Sigma_2^0(\Delta_1^1) = \{X \subset \omega^\omega \mid X = \varphi^{-1}(\mathbb{Q}), \varphi : \omega^\omega \longrightarrow 2^\omega \text{ } \varphi \text{ strategy } \Delta_1^1\}$$

And the same definition for $\Sigma_n^0(\Delta_1^1)$ with a very simple set in 2^{ω^n} recognized by a finite automaton which reads words of length ω^n (see Büchi [15], Shelah [80], Bedon [10], Choffrut Grigoriev [24] for finite automata reading transfinite words). From this effective results Louveau deduces classical results in the plane : If $X \subset \omega^\omega \times \omega^\omega$ is a Borel set with Σ_{n+1}^0 sections then X is a countable union of Borel sets in $\omega^\omega \times \omega^\omega$ with Π_n^0 sections. The first example of this kind of results is the case of Borel sets in the plane with countable sections studied by Lusin [64]. This result was extended by Novikov Arsenin and Kunugui to the case of Borel sets in the plane with compact sections or K_σ sections (see Sierpinski [82], Saint Raymond [77], Louveau Saint Raymond [62], Kechris [47], Srivastava [87]).

11.4 \mathbb{O} and \mathbb{Q}

For all Wadge classes of Borel sets Γ , Wadge gives an example of a Γ -complete set in ω^ω . As remarked by Professor Jean Saint Raymond “il suffit de le faire pour les ouverts.” We will do it for open sets and F_σ sets.

Let T be a tree of A^* , we denote by $[T]$ the set of the infinite branches of T :

$$[T] = \{\alpha \in A^\omega, \forall n \in \omega \alpha[n] \in T\}.$$

Proposition 25 *Let F be a subset of A^ω . The set F is closed iff there exists a tree T of A^* so that $F = [T]$.*

Proof: (\Rightarrow) If F is closed, we define $T = \{u \in A^*, \exists \alpha \in F \exists n \in \omega \alpha[n] = u\}$. Then $[T] = \overline{F} = F$. (\Leftarrow) It is clear that $[T]$ is always a closed set. □

Definition 14 *A set C of Σ_n^0 is called $\Sigma_n^0(A^\omega)$ -strategically complete if for any set X of $\Sigma_n^0(A^\omega)$, player II has a winning strategy in the game $G(X, C)$: II wins iff $(\alpha \in X \Leftrightarrow \beta \in C)$ ($G = (X \times C) \cup (\check{X} \times \check{C})$).*

Proposition 26 *The set $\mathbb{O} = \{\alpha \in 2^\omega \mid \exists m \alpha(m) = 1\}$ is $\Sigma_1^0(A^\omega)$ -strategically complete.*

Proof: Let U be in $\Sigma_1^0(A^\omega)$. The complement of U is closed, so by proposition 25, there exists a tree T so that $T = \check{U}$. The winning strategy $\phi : A^+ \rightarrow \{0, 1\}$ for II is the following :

$$\phi(u) = \begin{cases} 0 & \text{if } u \in T \\ 1 & \text{if } u \notin T \end{cases}$$

□

In fact using Martin theorem and Wadge game every open non closed set is $\Sigma_1^0(A^\omega)$ -strategically complete. And using Büchi Landweber theorem we have $\Sigma_1^0 \cap \mathbf{Auto} = \Sigma_1^0(\mathbf{Auto})$.

Proposition 27 *The set $\mathbb{Q} = \{\alpha \in 2^\omega \mid \exists m \forall n > m \alpha(n) = 0\}$ is $\Sigma_2^0(A^\omega)$ -strategically complete.*

Proof: Let U be in $\Sigma_2^0(A^\omega)$. Then there exists a family $(F_n)_{n \in \omega}$ of closed sets so that $U = \bigcup_{n \in \omega} F_n$. By proposition 25, for any integer n , there exists a tree T_n so that $F_n = [T_n]$. The winning strategy $\phi : A^+ \rightarrow \{0, 1\}$ for II is given by the following induction :

$$\begin{aligned}
 n &\leftarrow 0 \\
 \phi(u) &= \begin{cases} 0 & \text{if } u \in T_n \\ 1 & \text{if } u \notin T_n \text{ and } n \leftarrow n + 1 \end{cases}
 \end{aligned}$$

Let $(\alpha, \phi(\alpha))$ be a result of the game.

- If α is in U , there exists n so that α is in $F_n = [T_n]$. Then for all m in ω , $\alpha[m]$ is in T_n . So there exists m_0 so that for all $m \geq m_0$, $\phi(\alpha[m]) = 0$ and $\phi(\alpha)$ is in $\mathbb{Q} : II$ wins.
- If α is not in U then for all n and m in ω , there exists $\tilde{m} \geq m$ so that $\alpha[\tilde{m}]$ is not in T_n i.e. the sequence of finite words $(\alpha[m])_{m \in \omega}$ leaves any tree T_n in finite time. Then $\phi(\alpha)$ has an infinite number of 1, so $\phi(\alpha)$ is not in \mathbb{Q} and II wins.

□

In fact using Martin theorem and Wadge game every F_σ set which is not a G_δ set is $\Sigma_2^0(A^\omega)$ -strategically complete. And using Büchi Landweber theorem we have $\Sigma_2^0 \cap \mathbf{Auto} = \Sigma_2^0(\mathbf{Auto})$.

11.5 Separation games

In October 1984 Louveau was presenting joint work of his and Saint Raymond in the seminary of theory of effective borel sets. The title of the talk was “Jeux de Mistigri (Mistigri Games)”. This was a sort of Wadge game, a separation game. Let Y and Z be two analytic disjoint subsets of ω^ω .

In a first Game Player II wins the game iff $(\alpha \in \mathbb{Q} \Rightarrow \beta \in Y \text{ and } \alpha \in \check{\mathbb{Q}} \Rightarrow \beta \in Z)$. A winning strategy for II gives a continuous function (a Lipschitz map) φ such that $\varphi^{-1}(Y) = \mathbb{Q}$. A winning strategy for I gives a continuous function (a Lipschitz map) ψ such that $\psi(Y) \subset \check{\mathbb{Q}}, \psi(Z) \subset \mathbb{Q}$. That is to say $\psi^{-1}(\check{\mathbb{Q}})$ separate Y from Z . It is easy to see that there is a closed set which separates Y from Z if and only if player I has a winning strategy in the first separation game. If Y and Z are ω -regular sets one can deduce from Büchi Landweber’s theorem that one can decide if two ω -regular disjoint sets are separated by a closed set. Moreover if they are separated by a closed set, they are separated by a $\Pi_1^0(\mathbf{Auto})$.

In a second game, Player II wins the game iff $(\alpha \in \mathbb{Q} \Rightarrow \beta \in Y \text{ and } \alpha \in \check{\mathbb{Q}} \Rightarrow \beta \in Z)$. A winning strategy for II gives a continuous function (a Lipschitz map) φ such that $\varphi^{-1}(Y) = \mathbb{Q}$. A winning strategy for I gives a continuous function (a Lipschitz map) ψ such that $\psi(Y) \subset \check{\mathbb{Q}}, \psi(Z) \subset \mathbb{Q}$. That is to say $\psi^{-1}(\check{\mathbb{Q}})$ separate Y from Z . It is easy to see that there is a Π_2^0 set which separates Y from Z if and only if player I has a winning strategy in the first separation game. If Y and Z are ω -regular sets, one can deduce from Büchi Landweber’s theorem that one can decide if two ω -regular disjoint sets are separated by a Π_2^0 set. Moreover if they are separated by a Π_2^0 set, they are separated by a $\Pi_2^0(\mathbf{Auto})$, that is to say, they are separated by a set recognized by deterministic Büchi automaton.

Note that these theorems hold for all classes of Wagner’s hierarchy which is of type order the ordinal of ω^ω . These results where presented to Louveau in 1987 and appear in [84, 85]. R. Barua solves the case of the $D_n(\Sigma_2^0)$ classes with a proof without games [6].

Separation games appear in Van Wesep [101]. The game where Player II wins if $(\alpha \in \mathbb{Q} \Rightarrow \beta \in Y \text{ and } \alpha \in \check{\mathbb{Q}} \Rightarrow \beta \in Z)$ is used in Kechris Louveau Woodin [50, 48, 47] to give new proof of the old Hurewicz’s theorem [45] :

Any Π_1^1 set X in a compact metrizable space E which is not Π_2^0 contains a closed subset homeomorphic to \mathbb{Q} . In fact, one can also construct a homeomorphic copy F of 2^ω inside E such that $F \cap X$ is (through the homeomorphism) identified with \mathbb{Q} . The set \mathbb{Q} is a Hurewicz-witness for non Π_2^0 -ness, \mathbb{Q} is a Hurewicz-test. And we have in the ω -regular case. If an ω -regular set X is not Π_2^0 then every deterministic Muller automaton which recognizes X contains a chain $\{+\} \subset \{-\}$. This was generalized to all Wagner classes by Wagner [106].

Effective results of Louveau were first proved in [59]. Let Σ_1^1 (resp. Π_1^1) be the class of effective analytic sets (resp. coanalytic sets) and $\Delta_1^1 = \Pi_1^1 \cap \Sigma_1^1$ be the class effective Borel sets (bold-face=classical, lighthface=effective see Moschovakis [65]). Let Y and Z be two disjoint Σ_1^1 subsets of ω^ω . Louveau has shown that if there is a Σ_n^0 which separates Y from Z then there is a $\Sigma_n^0(\Delta_1^1)$ which separates Y from Z . From this he deduced $\Sigma_n^0 \cap \Delta_1^1 = \Sigma_n^0(\Delta_1^1)$ and by relativisation the theorem on Borel sets of the plane with Σ_n^0 sections. He used the good properties of the Gandy Harrington's topology of ω^ω , the topology generated by the Σ_1^1 subsets of ω^ω . Then in [60] Louveau has extended this separation theorem to all effective Wadge classes. In [62] Louveau and Saint Raymond use separation games to give another proof of these results [62]. They use the basic strategic theorem : if $G \subset \omega^\omega \times \omega^\omega$, the winning set for II, is a Σ_1^0 set then if player II has a strategy then he have a Δ_1^1 strategy. They also give an Hurewicz's theorems for all Wadge classes.

11.6 Steel's game and separation by Δ_2^0 sets

Let \mathbb{Q}_0 , the subset of 2^ω of infinite words with finite even number of 1 and \mathbb{Q}_1 the subset of 2^ω of infinite words with finite odd number of 1. We have seen that \mathbb{Q}_0 and \mathbb{Q}_1 are not separate by a Δ_2^0 set.

Let X and Y be disjoint sets. In the Steel's game, player II wins the game iff $((\alpha \in Y \Rightarrow \beta \in \mathbb{Q}_0)$ and $(\alpha \in Z \Rightarrow \beta \in \mathbb{Q}_1)$ and $(\beta \in \mathbb{Q}_0 \cup \mathbb{Q}_1))$.

Proposition 28 *If the sets Y and Z are borel sets, then player II has a winning strategy iff there is a Δ_2^0 set which separates Y from Z .*

Proof: A winning strategy for II gives a continuous function (a Lipschitz map) $\varphi : A^\omega \rightarrow \mathbb{Q}_0 \cup \mathbb{Q}_1$ such that $\varphi(Y) \subset \mathbb{Q}_0$ and $\varphi(Z) \subset \mathbb{Q}_1$. This implies that $\varphi(\mathbb{Q}_0) = \varphi(\mathbb{Q}_1)$ is a Δ_2^0 set which separates Y from Z .

A winning strategy for I gives a continuous function (a Lipschitz map) $\psi : 2^\omega \rightarrow A^\omega$ such that : $\psi(\mathbb{Q}_0) \subset Z$, $\psi(\mathbb{Q}_1) \subset Y$. If C is a Δ_2^0 set which separates Y from Z then $\psi^{-1}(C)$ is a Δ_2^0 set which separates \mathbb{Q}_0 from \mathbb{Q}_1 and this is not possible. So if C is a Δ_2^0 set which separates Y from Z , by Borel determinacy II has a winning strategy. \square

Corollary 29 *One can decide if two languages in $Rec(A^\omega)$ are separated by a Δ_2^0 set. Moreover if they are separated by a Δ_2^0 set, they are separated by an ω -regular Δ_2^0 set, i.e., a finite difference of ω -regular open sets.*

Proof: If Y and Z are ω -regular sets then the Steel's game is ω -regular. So by the Büchi Landweber's theorem, we can decide if player II has a winning strategy. Moreover if player II has a winning strategy he has a sequential letter to letter strategy φ . This implies that $\varphi(\mathbb{Q}_0) = \varphi(\mathbb{Q}_1)$ is an ω -regular Δ_2^0 set which separates Y from Z . \square

11.7 Mistigri Couleur

Van Wesep and Steel Games [101, 94] were used to study structural properties of Wadge classes of Borel sets like separation property. A Wadge class Γ has the separation property if for any pair X, Y of disjoint sets in Γ there exists Z in $\Delta(\Gamma)$ which separate X from Y . In fact for each pair of nonselfdual $\Gamma, \check{\Gamma}$ Wadgeclass of Borel sets then exactly one of the classes has the separation property. And if Γ doesn't have the separation property then one can find a simple pair X, Y of disjoint sets in Γ such that X can't be separated from Y by a set in $\Delta(\Gamma)$. Another very interesting property is the norm property, in [63] Louveau and Saint Raymond study norm property of Borel Wadge classes. The classes $\Sigma_\xi^0, D_\eta(\Sigma_\xi^0)$, $\xi < \omega_1, \eta < \omega_1$, and Π_1^1 have the norm property, and the $D_n(\Sigma_1^0(\mathbf{Auto})), D_n(\Sigma_2^0(\mathbf{Auto}))$ have the norm property [83]. If a class Γ has a norm property then Γ has the reduction property [63] that is to say for all X, Y in Γ one can find X', Y' in Γ such that $X \cup Y = X' \cup Y'$ and $X' \cap Y' = \emptyset$. Moreover if Γ has the reduction property then $\check{\Gamma}$ has the separation property. For example we have seen that the classes $\Pi_2^0, \Pi_2^0(\mathbf{Auto})$ have the separation property; in fact this is true because the classes $\Sigma_2^0, \Sigma_2^0(\mathbf{Auto})$ have the reduction property. The reduction property of classes Σ_ξ^0 is used to prove the Lebesgue, Hausdorff, Banach's theorem :

Theorem 30 *Let X, Y be metrizable spaces with Y separable. Then for all $\xi \geq 2$, $f : X \rightarrow Y$ is of Baire class ξ iff for all open V include in Y , $f^{-1}(V)$ is in $\Sigma_{1+\xi}^0(X)$.*

Remark 6 *Note another time that this result holds for $n = 1$ if in addition X is separable and either $X = A^\omega$ or $Y = \mathbb{R}$.*

The proof use finite valued Borel functions, finite Borel partition. We know four descriptions of Borel Wadge classes :

The one of Wadge(Descriptive Set Theorist) [104] is useful for a Computer Scientist (DST : Hello this set is Γ -complete and we give you a proof of that. Do you know countable choice and fundamental sequences? CS : Thank you, I will try to find some device to recognize this Γ -complete set. Is this the simplest one? What is countable choice? Do I use it? Do you think I can recognize this Γ -complete set with a Muller tree automaton? DST : what is a Muller tree automaton?).

The one of Louveau [60] is useful to study structural properties of classes, Selivanov [79] uses this description and describes the topological invariants of Wagner classes by finite trees.

The one of Saint Raymond [77] uses Borel functions of class ξ ($\xi < \omega_1$). This description has the advantage to extend immediately to the case of finite Borel coloring of A^ω (Wadge case is Black and White, $X \subset A^\omega, X_0 = \check{X}, X_1 = X, A^\omega = X_0 \cup X_1$).

The one of Duparc [27] follows the Cantor normal form of ordinals. This description has been used by Finkel [33, 35] to study the order type of the Wadge hierarchy restricted to ω -context-free languages.

In [77] it is quoted that games used by Van Wesep, Steel, Louveau Saint Raymond are particular case of elementary games with winning set $G = \cup_{i=0}^n X_i \times Y_i$, where the X_i, Y_i are Borel subsets of A^ω . Let (X_0, \dots, X_n) and (Y_0, \dots, Y_n) be two Borel partitions of A^ω . Define the game $G(X_0, \dots, X_n; Y_0, \dots, Y_n)$ where I plays α , II plays β and where II wins the game if $\forall i \alpha \in X_i \Rightarrow \beta \in Y_i$. This game enable us to compare finite Borel partitions. This gives for all n the Wadge $n + 1$ colors hierarchy. If the X_i, Y_i are **Auto** this gives for all n the Wagner $n + 1$ colors

hierarchy. Then you can use Büchi Landweber and this certainly has to do with the algebra of finite monoïds (see Carton Michel [21], Carton Perrin [22], Perrin Pin [69], Wilk [109]).

In [44] Hertling and Weihrauch study discontinuity of finite valued Borel functions, for understanding degeneracy in computational geometry. Here is their abstract : “We introduce levels of discontinuity and prove that they correspond to the number of tests in ”continuous computation trees”. We illustrate the concept of level by various simple examples from computational geometry. For a finer comparison of kinds of discontinuity we introduce a continuous reducibility relation for finite valued functions. We show that each of the resulting degrees (of finite level) can be characterized by a finite set of finite trees which describes the type of discontinuity of its functions. The ordering of the degrees is decidable in the tree sets and each level consists only of finitely many degrees”. The description of Saint Raymond may have very interesting applications in computational geometry.

Here is an example of Hertling Weirauch [44]. Let $f : \{0, 1\}^\omega \longrightarrow \{2, 3, 7\}$ defined by

$$f(\alpha) = \begin{cases} 7 & \text{if } \alpha = 0^\omega \\ 3 & \text{if } \alpha \in 0^*1^\omega \\ 2 & \text{else} \end{cases}$$

This is a Baire class 1 function. We conclude this section by another example coming from the representation of reals in base of the golden mean. Let $g : \{0, 1\}^\omega \longrightarrow \{2, 3, 7\}$ defined by

$$g(\alpha) = \begin{cases} 7 & \text{if } \alpha \in (0 + 1)^*11(0 + 1)^\omega \\ 3 & \text{if } \alpha \in (0 + 10)^\omega \text{ and } \alpha \in (0 + 1)^*0^\omega \\ 2 & \text{if } \alpha \in (0 + 10)^\omega \text{ and } \alpha \in ((0 + 1)^*1)^\omega \end{cases}$$

This is not a Baire class 1 function

12 Conclusion

12.1 Π_1^1 sets and ω_1 , the boundedness theorem of Lusin

There is a lot of to say about the story of transfinite. For example Borel did not believe in ω_1 (“cette totalité illégitime”), Lusin seems to refuse the Third Middle excluded for projective sets. It is well known that Baire, Borel, Lebesgue, did not believe in the axiom of choice. Zermelo has proven with the axiom of choice that you can put a well order on every set. Sierpinski believed in the axiom choice, but has shown which theorems need the axiom of choice. In general, there is no need of axiom of choice when you dispose of a well order. Do you believe in ω_1 ? Do we need countable ordinals in computer science? It is an old result of Lusin and Sierpinski that **WO** (as Well Order), the code of countable ordinals, is The Example of a coanalytic set. It is a coanalytic complete set. The first examples of coanalytic-complete sets in analysis are due to Hurewicz [45, 47, 83]. These are the set $K(\mathbb{Q})$ of compacts subsets of the rationals of the interval $[0, 1]$ and the set K_ω of countable compacts subsets of the interval $[0, 1]$. Consider the stupid game

in $2^\omega \times 2^\omega$ where Player I wins the game if $\alpha \in \mathbb{Q}$ and $\beta \in 2^\omega$. Player I has a simple automaton strategy : always play 0. Call, by analogy with $K(\mathbb{Q})$, $K\mathbb{Q}$ the set of winning strategies of player I, this set is $\mathbf{\Pi}_1^1$ and extending $\varphi : \omega^* \rightarrow 2^*$ of remark 3 in $\varphi : 2^{\omega^*} \rightarrow 2^{2^*}$ one has that $\varphi^{-1}(K\mathbb{Q}) = \mathbf{WF}$, hence $K\mathbb{Q}$ is a $\mathbf{\Pi}_1^1$ -complete set. This was first observed by Niwinski in 1986 [67]. This set is recognized by a deterministic Muller infinite tree automaton. In fact a set is recognized by deterministic Muller infinite tree automaton if and only if it is the set of winning strategies of player I in an ω -regular game, and a set is recognized by a nondeterministic Muller infinite tree automaton if it is the projection of a set recognized by a deterministic Muller infinite tree automaton. Infinite tree automaton where used by Rabin [72] to show the decidability of the monadic second order theory of the tree 2^* , $S2S$. Rabin shows that a set is recognized by a nondeterministic Muller infinite tree automaton if and only if it is definable in $S2S$. Note that it is quite clear when you read the first pages of Rabin that the set $K(\mathbb{Q})$ of compact subsets of $\mathbb{Q} = \{\alpha \in 2^\omega \mid \exists m \forall n \geq m \alpha(n) = 0\}$ is definable in $S2S$ and we know since Hurewicz that this set is $\mathbf{\Pi}_1^1$ -complete (see [45, 48, 50, 47]). Rabin shows by transfinite induction on countable ordinals that if a set is recognized by a nondeterministic Muller infinite tree automaton then its complements is also recognized by a nondeterministic Muller infinite tree automaton. The complement of $K\mathbb{Q}$ is recognized by a nondeterministic Büchi infinite tree automaton but $K\mathbb{Q}$ is not recognized by a nondeterministic Büchi infinite tree automaton (otherwise $K\mathbb{Q}$ will be Borel, see also Rabin [73] for a combinatorial proof of that, the paper of Rabin [73] is a kind of Suslin Kleene Automata theorem [83]). Finkel codes the complement of $K\mathbb{Q}$ to obtain an ω -context free set which is analytic complete. This led to undecidability results :

The problem of knowing whether an ω -context free languages is Borel is undecidable, the problem of knowing whether an ω -context free languages is Σ_ξ^0 is undecidable. ω -context free languages are Σ_1^1 . And one can play separation games where Player II wins the game iff $(\alpha \in \mathbb{O} \Rightarrow \beta \in Y \text{ and } \alpha \in \check{\mathbb{O}} \Rightarrow \beta \in Z)$ (Resp. Player II wins the game iff $(\alpha \in \mathbb{Q} \Rightarrow \beta \in Y \text{ and } \alpha \in \check{\mathbb{Q}} \Rightarrow \beta \in Z)$) with Y and Z ω -context free languages. Probably these games are undecidable, probably one can't decide if two ω -context free languages are separated by a Σ_ξ^0 set. But Louveau's theorem is true if they are separated by a Σ_ξ^0 set ($\xi < \omega_1$), then they are separated by a $\Sigma_\xi^0(\Delta_1^1)$ set.

Later on, Finkel, with the same kind of coding, obtained an ω -rational relation which is analytic complete. This gave other undecidability results : The problem of knowing whether an ω -rational relation is Borel is undecidable, the problem of knowing whether an ω -rational relation is Σ_ξ^0 is undecidable. Finally we can remark that simple models of asynchronous parallelism on infinite words gives analytic complete sets [36]. Note that Kuratowski shows how to eliminate transfinite numbers in mathematical proofs [52]. He takes as examples the Cantor Bendixon theorem and the derivation of Felix Hausdorff. For example, in games, ordinals are hidden in the construction of strategies. One can say : don't hide countable ordinals and you will see some true coanalytic sets. This has to do with the boundedness theorem of Lusin [64, 65, 47]. If a set X is a coanalytic set then for all $\alpha \in X$ one can associate a countable ordinal $\varphi(\alpha)$. And X is borel if and only if there exists $\xi < \omega_1$ such that for all $\alpha \in X$, $\varphi(\alpha) < \xi$. Note that Lusin don't think that such a procedure can be effective to decide if a $\mathbf{\Pi}_1^1$ set is a true (not Borel) $\mathbf{\Pi}_1^1$ set, and the undecidability results of Finkel shows that he was right. We think that countable ordinals are inherently hidden in models of parallelism, verification and *XML*.

12.2 Hausdorff and automata

We have seen Hausdorff's theorem

$$\Delta_2^0 = \cup_{\xi < \omega_1} D_\xi(\Sigma_1^0)$$

and we have seen that in the ω -regular case we have [106]

$$\Delta_2^0 \cap \mathbf{Auto} = \cup_{n < \omega} D_n(\Sigma_1^0(\mathbf{Auto}))$$

in the case of effective Borel sets we have [60]

$$\Delta_2^0 \cap \Delta_1^1 = \cup_{\xi < \omega_1^{CK}} D_\xi(\Sigma_1^0(\Delta_1^1))$$

where ω_1^{CK} is the Church Kleene ordinal, the least nonrecursive ordinal. Let us give another example of the utility of Hausdorff's derivation. In [57] Lecomte studies from a descriptive set theory point of view L^ω , the ω -power of $L \subset A^*$. Lecomte answers to questions ask by Staiger in [92]. Among the very interesting results of Lecomte, there is a surprising fact which links combinatorics on words and the Hausdorff derivation. Let $\mathcal{G}_2 := \{L \subset A^* \mid \exists u \in A^*, \exists v \in A^*, L^\omega = \{u, v\}^\omega\}$. Set \mathcal{G}_2 is the set of languages such that their ω -powers are generated by two words. The set of languages 2^{A^*} is a compact metric space, and one can ask the question of the topological complexity of \mathcal{G}_2 . Lecomte's result is the following

Theorem 31 \mathcal{G}_2 is a $\check{D}_\omega(\Sigma_1^0)$ which is not $D_\omega(\Sigma_1^0)$.

This is an example of a concrete $\check{D}_\omega(\Sigma_1^0)$ coming from the real world. In his proof Lecomte uses Hausdorff's derivation and the default theorem (see Bruyère [19]). In the same context, another result of Duparc [28] is relevant. The order type of the difference hierarchy of open set restricted to deterministic ω -context free languages is ω^ω . The order type of difference hierarchy of open set restricted to one counter language is at least ω^ω [33]. It seems that Finkel shows in [35] that the order type of difference hierarchy of open set restricted to ω -context free languages is at least ω_1^{CK} and that the Wadge hierarchy of Borel sets restricted to ω -context free languages has the same order type that Louveau's hierarchy. In a paper of the sixties [86], Skurczynski finds examples of sets of trees in 2^{2^*} which are Σ_n^0 complete and he remarks that they are recognized by Muller tree automata. An examination of these examples and a careful reading of the construction of $D_\xi(\Sigma_1^0)$ -strategically complete in [62] shows that you can define with tree automata a set which is $D_{\omega^n}(\Sigma_1^0)$ complete for all $n \in \omega$ [83]. The same construction gives sets recognized by nondeterministic Muller infinite tree automaton which are $D_{\omega^n}(\Sigma_n^0)$ complete and sets recognized by nondeterministic Muller tree automaton which are $D_{\omega^n}(\Pi_1^1)$ complete [83]. In particular the family of sets recognized by nondeterministic Muller infinite tree automaton is not the boolean algebra generated by the family of sets recognized by nondeterministic Büchi tree automaton. This last statement was first proved by Hafer [43]. Finite automata read also transfinite words (see Büchi [15], Shelah [80], Bedon [10], Choffrut Grigoriev [24]), what are the degrees of the difference hierarchy of open set restricted to sets of words of length ω^n recognized by finite automata? What are the degrees of the difference hierarchy of open set restricted to sets definable in $S2S$?

12.3 Game quantifier and tree automata

Descriptive set theory is the study of definable sets in Polish spaces and will we be very happy to know the exact topological complexity of sets definable in $S2S$. Does the good hierarchies of sets definable in $S2S$ are the restrictions of the good old hierarchies of descriptive set theory? Let $Y \in \omega^\omega \times \omega^\omega \times \omega^\omega$, $Y_\alpha = \{(\beta, \gamma) \mid (\alpha, \beta, \gamma) \in Y\}$, and let Γ be a class of Wadge Borel sets in $\omega^\omega \times \omega^\omega \times \omega^\omega$, define the class $\mathcal{O}\Gamma$ as follows : In the game Y_α player I constructs β and player

II constructs γ . I wins the game if $(\alpha, \beta, \gamma) \in Y$.

A set $X \subset \omega^\omega$ is in $\mathcal{O}\Gamma$ if there exists $Y \in \Gamma$ such that $\alpha \in X \leftrightarrow$ I has winning strategy in the game Y_α .

$$\mathcal{O}(\Gamma) = \{(X \subset \omega^\omega \mid \exists Y \in \Gamma, Y \in \omega^\omega \times \omega^\omega \times \omega^\omega, \alpha \in X \leftrightarrow \exists \varphi : \omega^* \longrightarrow \omega, \forall \gamma (\alpha, \varphi(\gamma), \gamma) \in Y)\}$$

These classes are very interesting because if Γ has the norm property then $\mathcal{O}(\Gamma)$ has the norm property (see Moschovakis [65]). Determination of the games in Γ implies that $\mathcal{O}(\dot{\Gamma}) = \mathcal{O}(\dot{\Gamma})$. For example :

The projection of an open set is open, so if $Z \subset \omega^\omega \times \omega^\omega$ is $\mathbf{\Pi}_1^0$ (Resp. $\mathbf{\Pi}_1^0$), then $\forall \beta Z$ is $\mathbf{\Pi}_1^0$ (Resp. $\mathbf{\Pi}_1^0$). By the Tarski Kuratowski algorithm we have $\mathcal{O}(\mathbf{\Pi}_1^0) = \mathbf{\Sigma}_1^1$ so, by determination of closed games in $\omega^\omega \times \omega^\omega$, $\mathcal{O}(\mathbf{\Sigma}_1^0) = \mathbf{\Pi}_1^1$. Another way to see this is to use the basis strategic theorem (see Kechris [47], Moschovakis [65]) : If the winning set for I, is a Σ_1^0 set then if player I has a strategy then he have a Δ_1^1 strategy, if Y is open then if player I has a strategy in the game Y_α then he have a $\Delta_1^1(\alpha)$ strategy, that is I can choose φ in a borel way from $\alpha \in X$, φ is borel in α and the class $\mathbf{\Pi}_1^1$ is closed by substitution by Borel function. The class $\mathcal{O}(\mathbf{\Sigma}_2^0)$ is a quite complicate object linked to inductive definitions (see Moschovakis [65]). It easy to see that sets definable in $S2S$ are in the classes $\mathcal{O}(D_n(\mathbf{\Sigma}_2^0))$ (see Gurevitch Harrington [42]). But we are working in compacts spaces and the continuous image of a compact space is compact. The projection of a K_σ is a K_σ set so if $Z \subset 2^\omega \times 2^\omega$ is $\mathbf{\Pi}_2^0$ (Resp. $\mathbf{\Pi}_2^0$), then $\forall \beta Z$ is $\mathbf{\Pi}_2^0$ (Resp. $\mathbf{\Pi}_2^0$). Let $\mathcal{O}(\Gamma)(2^\omega) = \{(X \subset 2^\omega \times 2^\omega \mid \exists Y \in \Gamma, Y \in 2^\omega \times 2^\omega \times 2^\omega, \alpha \in X \leftrightarrow \exists \varphi : 2^* \longrightarrow 2, \forall \gamma (\alpha, \varphi(\gamma), \gamma) \in Y)\}$, by the Tarski Kuratowski algorithm we have $\mathcal{O}(\mathbf{\Pi}_2^0)(2^\omega) = \mathbf{\Sigma}_1^1(2^\omega)$ so, by determination of closed games in $2^\omega \times 2^\omega$, $\mathcal{O}(\mathbf{\Sigma}_2^0)(2^\omega) = \mathbf{\Pi}_1^1(2^\omega)$. From the existence of $\mathbf{\Pi}_1^0$ set of ω^ω which do not contain a Δ_1^1 point, one can deduce that there exists $\mathbf{\Pi}_1^0$ game in ω^ω such that the closed Player wins the game but have no Δ_1^1 strategy (see Moschovakis [65]). And from the existence of $\mathbf{\Pi}_2^0$ set of 2^ω which do not contain a Δ_1^1 point, one can deduce that there exists $\mathbf{\Pi}_2^0$ game in 2^ω such that the $\mathbf{\Pi}_2^0$ Player wins the game but have no Δ_1^1 strategy (see [97]). A direct computation of the complexity of $\mathcal{O}(\mathbf{\Sigma}_2^0)(2^\omega)$ by the Tarski Kuratowski algorithm gives a $\mathbf{\Sigma}_2^1$ set, that is to say a projection of a coanalytic set. In a $\Sigma_2^0(2^\omega \times 2^\omega)$ game, if the Σ_2^0 player has a winning strategy does he has a Δ_1^1 strategy? If $Y \subset 2^\omega \times 2^\omega \times 2^\omega$ is $\mathbf{\Sigma}_2^0$ and if $\alpha \in X \leftrightarrow$ I has winning strategy in the game Y_α , does I can choose φ in a borel way from $\alpha \in X$? There exists another old hierarchy in $\mathbf{\Delta}_2^1$ the hierarchy of C of Selivanowski starting from $\mathbf{\Sigma}_1^1$ sets we alternate complement and Suslin scheme (see Kuratowski [52]), it turns out that the hierarchy of Selivanowski is the hierarchy of the $\mathcal{O}(D_\xi(\mathbf{\Sigma}_1^0))$ for $\xi < \omega_1$ (see Moschovakis [65], Louveau [61])

Does there is a difference between the classes $\mathcal{O}(D_2(\mathbf{\Sigma}_2^0))(\omega^\omega)$ and $\mathcal{O}(D_2(\mathbf{\Sigma}_2^0))(2^\omega)$? Does the hierarchies of game quantifier has to do with set definable in $S2S$. One can see presentation of Niwinski [68] to have an account of recent work and problems in $S2S$.

12.4 Baire class 1 functions

In conclusion, let us say that other properties of ω -rational function which are Baire class 1 can be derived from work by Kechris and Louveau [49]. One can find concrete examples of ω -rational Baire class 1 functions in [38, 39, 51, 66] and one can even define Baire class 1 functions on real numbers by using representation of real numbers in Pisot Basis [20].

Finally we remark that Baire has introduced semi continuity, oscillation and the space ω^ω .

The bibliography is big but still incomplete. We have certainly forgotten some work, especially work of Schupp on alternating automata and work on fixed point theory of Arnold, Niwinski, Kozen, Bradfield, Walukiewicz, Wilke.

Acknowledgements

Acknowledgements of the first author :

I began to learn automata theory in the DEA of Maurice Nivat (my adviser) in the year 1983-1984 at LITP. In particular I learned first Büchi's theory with Dominique Perrin, and ω -context free languages with Françoise Gire. In 1984 my friend Vincent Schoen brought up to me a course from Saint Raymond. In the beginning of this course was presented ordinals and Cantor's derivation and it looked like a problem on process in [4]. Then I saw on the program of Louveau's seminary a title : "Mistigri Games". Before this seminary, there was another seminary about σ -ideal of compact sets. There was the compact of a set recognized by automata, then Mistigri seminary and a game played against a set recognized by automata. Then I began to learn classical descriptive theory and effective descriptive set theory in Louveau's documents. I thank Professor Jean Saint Raymond who recognized Hausdorff's theorem in a theoretical computer science problem in 1986. I also thank Alain Louveau for his help. Alain Louveau recognized Wadge's hierarchy in Wagner's hierarchy in 1987 and he invited me in his seminary to give a talk on Wagner in 1987 and on KQ in 1988. He introduced old results of Hurewicz [45] and effective set theory to the first author. We use Louveau documents for the topological sections. I also thank Jean Pierre Ressayre who accepted to organize a workshop in 1988 about Wadge's hierarchy and Wagner's hierarchy. This is where I met Olivier Finkel and Jacques Duparc. I learned tree alternating automata with Paul Schupp and I am indebted to him for his help. Many thanks to Jean Claude Dumoncel for historical discussions on Borel. Finally I thank Professor Serge Grigorieff who accepted to advise my thesis.

The authors thank Dominique Lecomte who kindly accepted that we present his result. Gabriel Debs and Dominique lecomte proved in 2006 that in a $\Sigma_2^0(2^\omega \times 2^\omega)$ game, the Σ_2^0 player has a Δ_1^1 winning strategy whenever he has a winning strategy. Let $f : \omega^\omega \longrightarrow \omega^\omega$ be an effective borel function, that is to say its graph is a Δ_1^1 set. If f is not Baire class one, does there exists a closed nonempty set F which is Δ_1^1 (and so by Louveau theorem F is $\Pi_1^0(\Delta_1^1)$) such that the restriction of f to F has no point of continuity?

Références

- [1] J.W. Addison. *The Theory of hierarchies*. E. Nagel, P. Suppes and Tarski, eds Logic, Methodology and Philosophy of Science, Proc. 1960 International Congress(Stanford University Press). 1962. 26-37.

- [2] J.W. Addison. *The Method of Alternating Chains*. The Theory of Models, North Holland Amsterdam. 1965. 1-16.
- [3] A. Arnold. *Topological characterization of infinite behaviours of transition systems*. Automata, Languages and programming. Lecture Notes in Comput. Sci. vol 154, Springer Verlag, Berlin, Heilenberg, New York. 1983. 28-38.
- [4] A. Arnold, M. Nivat. *Comportement de Processus* . Colloque AFCET Les mathématiques de l'informatique,France. 1982. 35-68.
- [5] R. Baire. *Oeuvres scientifiques* . Bordas, Paris 1990.
- [6] R. Barua. *Hausdroff-Kuratowski hierarchy of ω - regular languages and a hierarchy of Muller automata*. Theoretical Computer Science, Vol 16 No. 1. 1992. 60-99.
- [7] Y.M. Barzdin, B.A. Trakhtenbrot. *Finite Automata, Behaviour and Synthesis*. North Holland, Amsterdam. 1973.
- [8] M.P. Béal, O. Carton. *Determinization of transducers over finite and infinite words* Theoret. Comput. Sci., vol. 289, no. 1. 2002. 225-251.
- [9] M.P. Béal, O. Carton, C.Prieur, J.Sakarovitch. *Squaring Transducers : an efficient procedure for deciding functionality and sequentiality*. Theoretical Computer Science, Vol. 292, No. 1. 2003. 45-63.
- [10] N. Bedon. *Finite automata and ordinals*. Theoretical Computer Science, Vol. 156, 1-2 . 1996. 199-144.
- [11] A. Bergeron, J.C. Manzoni. *An automated analysis of Ping-Pong Interactions in E-mail Services*. TACAS'99 Proceedings, LNCS 1579, Springer-Verlag, Berlin. 1999. 134-147.
- [12] J. Berstel. *Transductions and Context Free Languages* . Teubner Verlag 1979.
- [13] L. Boasson and M.Nivat. *Adherences of languages*. J.Comput. System Sci. 20 (3)Teubner Verlag 1980. 285-309.
- [14] J.R. Büchi. *On a decision method in restricted second order arithmetic*. Logic, Methodology and Philosophy of Science. Stanford Univ. Press, Stanford, Calif. 1962. 1-11.
- [15] J.R. Büchi, D. Siefkes. *The Monadic Theory of ω_1* . in The Monadic Second Order Theory of All Countable Ordinals, J.R. Büchi, D. Siefkes(ed)Lecture Notes in math., Vol. 328, Springer Berlin. 1973. 1-121.
- [16] J.R. Büchi. *Using determinacy of games to eliminate quantifiers*. Fundamentals of computation theory. Lecture Notes in Comput. Sci. vol. 56 Springer, Berlin 1977. 367-378.
- [17] J.R. Büchi. *State-strategies for games in $F_{\sigma\delta} \cap G_{\delta\sigma}$* . J. Symbolic Logic 48, 4. 1984. 1171-1198.
- [18] J.R. Büchi, L. H. Landweber. *Solving sequential condition by finite-state strategies*. Trans. Amer. Math. Soc. 138. 1969. 295-311.
- [19] V. Bruyère. *Codes*. Chapter 7 of M. Lothaire, Algebraic Combinatorics on Words. Cambridge University Press. 2002.
- [20] B. Cagnard, P Simonnet. *Automata Borel functions and real numbers in Pisot basis* . 6th conference on real numbers and computers (RNC6). 2004.

- [21] O. Carton, M. Michel. *Unambiguous Büchi automata*. Theoret. Comput. Sci., vol. 297. 2003. 37-81.
- [22] O. Carton, D. Perrin. *The Wagner hierarchy*. Internat. J. Algebra Comput 9, 5. 1999. 597-620.
- [23] C. Choffrut. *Une caractérisation des Fonctions Séquentielles et des fonctions sous séquentielles en tant que Relations Rationnelles*. Theoretical Computer Science, Volume 5 (1977), 325-338. 1999. 171-182.
- [24] C. Choffrut, S. Grigorieff. *Uniformization of Rational Relations*. Jewels are Forever 1999, Springer Verlag. 59-71.
- [25] P. Dugac. *Histoire de l'analyse*. Vuibert. 2003. 253-271.
- [26] J. Duparc, O. Finkel, J.P. Ressayre. *Computer Science and the Fine Structure of Borel Sets*. Theoretical Computer Science, Volume 257 (1-2), April 2001 2001. 85-105.
- [27] J. Duparc. *Wadge Hierarchy and Veblen Hierarchy : Part1 : Borel Sets of Finite Rank*. Journal of Symbolic Logic, 66 no. 1. 56-86. 2001.
- [28] J. Duparc. *A Hierarchy of Deterministic Context-Free ω -languages*. Theoretical Computer Science, Volume 290, no. 3. 1253-1300. 2003.
- [29] S. Eilenberg. *Automata, Languages and Machines Vol A*. Academic Press, New York London. 1974.
- [30] C.C. Elgot, J.E. Mezei. *on relations defined by generalised automata..* IBM J. Res. Develop. 9. 1965. 47-68.
- [31] O. Finkel. *On the topological complexity of infinitary rational relations*. Theoretic. informatics and applications. 2003. 105-113.
- [32] O. Finkel. *Undecidability of topological and arithmetical properties of infinitary rational relations*. Theoretic. informatics and applications. 2003. 115-126.
- [33] O. Finkel. *Wadge Hierarchy of Omega Context Free Languages*. Theoretical Computer Science, Volume 269 (1-2). 2001. 283-315.
- [34] O. Finkel. *Borel Hierarchy and Omega Context Free Languages*. Theoretical Computer Science, Volume 290 (3). 2003. 1385-1405.
- [35] O. Finkel. *Borel Ranks and Wadge Degrees of Context Free omega-Languages*. CIE 2005. 2005. 129-138.
- [36] O. Finkel, J.P. Ressayre, P. Simonnet *On Infinite Real Trace Rational Languages of Maximum Topological Complexity*. Zapiski Nauchnyh Seminarov POMI, Volume 316, December 2004 2004. 205-223.
- [37] C. Frougny, J. Sakarovitch. *Synchronized relations of finite and infinite words*. Theoretic. comput. sci. 1993. 45-82.
- [38] C. Frougny. *On-the-Fly algorithms and sequential machines*. IEEE Transactions on Computers 49. 2000. 859-863.
- [39] C. Frougny. *Numeration Systems*. Chapter 8 of M. Lothaire, Algebraic Combinatorics on Words. Cambridge University Press. 2002.

- [40] F. Gire, M Nivat. *Relation rationnelles infinitaires* . Calcolo XXI. 1984. 91-125.
- [41] F. Gire. *Two decidability Problems for infinite words*. Information Processing letters 22. 1986. 135-140.
- [42] Y. Gurevitch, L. Harrington. *Trees Automata and Games*. Proc. ACM Symp. on Theory of Computing. 1982. 60-65.
- [43] T. Hafer. *On the Boolean Closure of Buchi Tree Automaton Definable Set of ω -trees*. Aachener Inform. Ber., Nr. 87-16, R.W.T.H., Aachen. 1987.
- [44] P. Hertling, K Weihrauch. *On the Topological Classification of Degeneracies*. Informatik-Berichte, Nr. 154, FernUniversität. 1994.
- [45] W. Hurewicz. *Relativ perfekte Teile von Punktmengen und Mengen*. Fund. Math. 12. 1928. 78-109.
- [46] M. Kaminski. *A classification of ω -regular languages*. Theoret. Comput. Sci, 36, 2-3. 1985. 217-229.
- [47] A. S. Kechris. *Classical Descriptive Set Theory*. Springer-Verlag. 1995.
- [48] A. S. Kechris, A. Louveau. *Descriptive Set Theory and the Structure of Sets of Uniqueness*. Cambridge University Press. 1987.
- [49] A. S. Kechris, A. Louveau. *A Classification of Baire class 1 functions*. Trans. AMS. Volume 318, Number 1, March 1990. 209-236.
- [50] A. S. Kechris, A. Louveau, W. H. Woodin. *The Structure of σ -ideals of Compact Sets*. Trans. AMS. Soc. 301 (1). 263-288. 1987.
- [51] P. Kornerup. *Digit-set conversions : Generalizations and applications*. I.E.E.E. Trans. on Computers 43. 1994. 622-629.
- [52] C. Kuratowski. *Une méthode d'élimination des nombres transfinis des raisonnements mathématiques*. Fund. Math. 3. 1922. 100-.
- [53] C. Kuratowski. *Topology*. vol I, Academic Press. 1966.
- [54] L.H. Landweber. *Decision problem for ω -automata*. Math. Systems. Theory 3. 1969. 376-384.
- [55] M. Latteux, E. Timmerman. *Rational omega-Transductions*. MFCS. 1990. 407-415.
- [56] R. Lindner, L. Staiger. *Algebraische Codierungstheorie - Theorie der sequentiellen Codierungen*. Akademie-Verlag, Berlin. 1977.
- [57] D. Lecomte *ω -powers and descriptive set theory*. to appear in journal of symbolic logic december 2005.
- [58] A. Louveau. *Ensemble Analytiques et Boréliens dans les Espaces Produits*. Asterisque S.M.F. 78. 1980.
- [59] A. Louveau. *A separation theorem for Σ_1^1 sets*. Transaction A.M.S., 260. 1981. 363-378.
- [60] A. Louveau. *Some results in the Wadge Hierarchy of Borel Sets*. Cabals Sem. 79-81, A.S. Kechris, D.A. Martin and Y.N.Moschovakis, Springer, Berlin. 1983. 28-55.
- [61] A. Louveau. *Quantificateur de jeu et σ -ideal of compacts*. Séminaire de theorie effective Université Paris VI. 1987.

- [62] A. Louveau, J. Saint Raymond. *Borel classes and closed games Wadge-type and Hurewicz-type results*. Transaction A.M.S. 304. 1987. 431-437.
- [63] A. Louveau, J. Saint Raymond. *Les propriétés de réduction et de norme pour les classes de Boreliens*. Fundamenta Mathematica 131. 1988. 223-437.
- [64] N. Lusin. *Leçons sur les Ensembles Analytiques et leurs Applications*. Gauthiers Villard. 1930.
- [65] Y. N. Moschovakis. *Descriptive Set Theory*. North Holland, Amsterdam. 1980.
- [66] J.M. Muller. *Arithmétique des ordinateurs*. Masson. Paris. 1989.
- [67] D. Niwinski. *An Example of Non Borel Set of infinite Trees Recognizable by a Rabin Automaton, In Polish, Manuscrit*. University of Warsaw. 1985.
- [68] D. Niwinski. *On the complexity of infinite computations*. Automata, Structures and Logic, Auckland. 2004.
- [69] D. Perrin J.E. Pin. *Infinite words*. Academic Press. 2004.
- [70] C. Prieur. *How to decide continuity of rationnal functions on infinite words*. Theoretical Computer Science 250 (1-2). 2001. 71-82.
- [71] C. Prieur. *How to decide continuity of rationnal functions on infinite words*. Theoretical Computer Science 276 (1-2). 2002. 445-447.
- [72] M. O. Rabin. *Decidability of Second Order Theories and Automata on Infinite Tree*. Trans. Amer. Math. Soc. 141. 1969. 1-35.
- [73] M. O. Rabin. *Weakly Definable Relations and Special Automata*. Mathematical Logic and Foundations of Set Theory, North Holland, Amsterdam. 1970. 1-23.
- [74] M. O. Rabin, D. Scott. *Finite automata and their decision problems*. IBM J. Res. Develop. 3. 1959. 114-125.
- [75] H. Rogers. *Theory of Recursive Functions and Effective Computability*. Mc Graw Hill, New York. 1967.
- [76] J. Saint Raymond. *Boréliens à coupe K_σ* . Bull. Soc. Math. France, 104. 1976. 1-23.
- [77] J. Saint Raymond. *Classification de Wadge*. Note d'exposé, fev 1989, Séminaire Initiation à l'Analyse, G. Choquet, G. Godefroy, M. Rogalski, J. Saint raymond 28 ième année. 1989.
- [78] J. Sakarovitch. *Eléments de théorie des automates*. Vuibert informatique. 2003.
- [79] V. Selivanov. *Fine hierarchy of regular ω -languages*. Theoret. Comput, 191, 1-2. 1998. 37-59.
- [80] S. Shelah. *The Monadic Theory of order*. Ann. of Math. (2) 102,3. 1975. 379-419.
- [81] W. Sierpinski. *Sur les fonctions de première classe*. C. R. Acad. Sci. Paris 170. 1920. 919-922.
- [82] W. Sierpinski. *Les Ensembles Projectifs et Analytiques*. Mémorial des Sciences Mathématiques, fascicule CXII, Gauthier-Villard. 1950. 28-29.
- [83] P. Simonnet. *Automate et théorie descriptive*. Ph.D. thesis, Université Paris 7, France. 1992.
- [84] P. Simonnet. *Un théorème de séparation sur les ensembles rationnels de mots infinis*. C. R. Acad. Sci. Paris Paris, 316 Serie I . 1993. 201-203.

- [85] P. Simonnet. *Automates d'arbres infinis et choix borélien*. C. R. Acad. Sci. Paris Paris, 316 Serie I . 1993. 97-100.
- [86] J. Skurczyński. *The Borel Hierarchy is Infinite in the Class of Regular Sets of Trees*. LNCS, Vol. 380, Springer, Berlin. 1989. 416-423.
- [87] S.M. Srivastava. *A course on Borel Sets*. Springer. 1998.
- [88] L. Staiger. *Hierarchies of Recursive ω -languages*. J. Inf. Process. Cybern. EIK 22 5/6 1986. 219-241.
- [89] L. Staiger. *Research in the Theory of ω -languages*. J. Inf. Process. Cybern. EIK 23 8/9 1987. 415-439.
- [90] L. Staiger. *Sequential mappings of ω -languages*. RAIRO - Inform. Theor. Appl. , 21 2. 1987. 147-173.
- [91] L. Staiger. *Recursive Automata on Infinite Words*. STACS. 1993.
- [92] L. Staiger. *ω -languages*. Chapter of the handbook of Formal Languages, Vol 3. Springer. 1997. 201-203.
- [93] L. Staiger, K. Weihrauch *In the Cantor Space and the Baire Space, G_δ -F σ is a Single Wadge-Degree, an effective proof*. Informatik-Berichte Nr. 119, FernUniversität. 1992.
- [94] J. R. Steel. *Determinateness and the separation property*. J. of Symb. Logic, vol 46. 1981. 41-44.
- [95] W. Thomas. *Automata on infinite objects*. Handbook of theoretical computer science, Vol B. 1990.
- [96] W. Thomas. H. Lescow. *Logical Specifications of Infinite Computation*. 1994.
- [97] W. Thomas. *On the Synthesis of Strategies in Infinite Game*. STACS 95, Springer Berlin. 1995. 1-13.
- [98] W. Thomas. *Languages Automata and Logic* . Handbook of Formal Languages, Vol 3, Springer. 1997. 389-449.
- [99] B. A. Trakhtenbrot. *Finite Automata and the Monadic Predicate Calculus*. Sibirsk. Mat. Zh., 3, No 1. 1962. 103-131.
- [100] B. A. Trakhtenbrot, Y. M. Barzdin. *Finite Automata*. North-Holland, Amsterdam. 1973.
- [101] R. Van Wesep *Separation principles and the axiom of determinateness*. J. of Symb. Logic, vol. 43. 1978. 77-81.
- [102] O. Veblen. *Continuous increasing function from finite and transfinite ordinals*. Trans. of the A.M.S. vol. 9. 1908. 280-292.
- [103] W. W. Wadge. *Degrees of complexity of subsets of the Baire space*. Notice A.M.S. 1972.
- [104] W. W. Wadge. *Ph. D. Thesis*. (Handwritten notes). 1976.
- [105] W. W. Wadge. *Thesis*. Berkeley. 1984.
- [106] K. Wagner. *On ω -regular Sets*. Information and Control 43. 1979. 123-177.
- [107] K. Wagner. L. Staiger. *Recursive ω -languages*. Fundamentals of Computation Theory, LNCS, 56, Springer. 1977. 532-537.

- [108] K. Weihrauch. *The lowest Wadge degrees of subsets of the Cantor space*. Informatik-Berichte Nr.107, FernUniversität. 1991.
- [109] T. Wilke. *An algebraic theory for regular languages of finite and infinite words*. Int. J. Alg. Comput. 3. 1993. 447-489.

