

A Rewriting Calculus for Multigraphs with Ports

Oana Andrei, Hélène Kirchner

► **To cite this version:**

Oana Andrei, Hélène Kirchner. A Rewriting Calculus for Multigraphs with Ports. The Eighth International Workshop on Rule-Based Programming (RULE 2007), Jun 2007, Paris, France. ENTCS, pp.20, 2007. <inria-00139363v2>

HAL Id: inria-00139363

<https://hal.inria.fr/inria-00139363v2>

Submitted on 21 May 2007

HAL is a multi-disciplinary open access archive for the deposit and dissemination of scientific research documents, whether they are published or not. The documents may come from teaching and research institutions in France or abroad, or from public or private research centers.

L'archive ouverte pluridisciplinaire **HAL**, est destinée au dépôt et à la diffusion de documents scientifiques de niveau recherche, publiés ou non, émanant des établissements d'enseignement et de recherche français ou étrangers, des laboratoires publics ou privés.

A Rewriting Calculus for Multigraphs with Ports

Oana Andrei¹ and Hélène Kirchner²

¹ INRIA - LORIA

² CNRS - LORIA

Campus scientifique BP 239

F-54506 Vandoeuvre-lès-Nancy Cedex, France

`Firstname.Lastname@loria.fr`

Abstract. In this paper, we define labeled multigraphs with ports, a graph model which specifies connection points for nodes and allows multiple edges and loops. The dynamic evolution of these structures is expressed with multigraph rewrite rules and a multigraph rewriting relation. Then we encode the multigraphs and multigraph rewriting using algebraic terms and term rewriting to provide an operational semantics of the multigraph rewriting relation. This term version can be embedded in the rewriting calculus, thus defining for labeled multigraph transformations a high-level pattern calculus, called ρ_{mg} -calculus.

1 Introduction

Graphs are high-level constructs widely used for describing complex structures, like communication networks, neural networks, UML diagrams, microprocessor design, XML documents, biological systems. Graph transformation provides a rule-based modeling of their dynamic evolution. Different approaches have been proposed to formalize graph transformation and to define graph rewriting, summarized for instance in [17].

We have explored graph models for simulating chemical reactors [7, 1] and protein interactions [2]. In this context we found the need for graph structures where the nodes have points, called *ports*, for attaching the edges, thus providing an explicit partitioning of nodes connectivity. We have identified a quite general class of directed graphs allowing multiple edges and loops, where node information is represented as node labels, and an edge label is the ordered pair of source port and target port; we call such graphs *labeled multigraphs with ports*.

The concept of port for graphs is not a novelty. It can be seen as a refinement of the connectivity information for nodes. The Graph Markup Language GraphML [8], an XML format for graph structures, backed to the graph drawing community, uses ports in nodes for partitioning incidences. An immediate application of multigraphs with ports is for modeling protein-protein interactions concerned with the connectivity inside molecular complexes (see [12] for a process algebra approach, and [6] for an approach based on graph rewriting). Proteins are abstracted as boxes with interaction sites on the surface having particular states. Hence, adding a refinement on the ports and calling them sites

with at most one edge attached to each port, the multigraph rewriting and its correspondent rewriting calculus become suitable for modeling the interactions of molecular complexes. We called this variant of multigraphs with ports used for modeling molecular complexes *molecular graphs* [2]. In Fig. 1 we illustrate in the middle a reaction pattern that applied on the left molecular graph creates an edge (bond) as we can see in the molecular graph on the right. This example is extracted from a larger example developed in [2] which models the beginning of the epidermal growth factor receptor signaling cascade. The protagonists of the example are four signal proteins denoted by \mathbf{S} with $\mathbf{S.S}$ their dimerized form, two receptor proteins \mathbf{R} , and one adapter protein \mathbf{A} . Sites are represented differently according to their state: filled circles for bound sites, and empty circles for free ones.

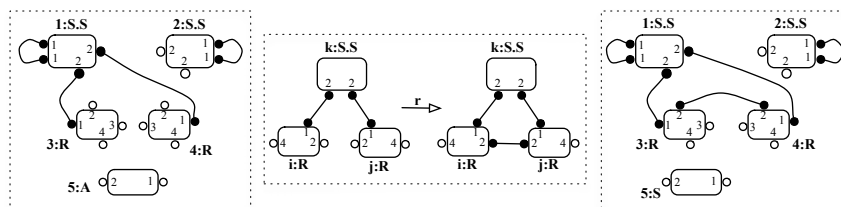


Fig. 1. Two molecular graphs related by a complexation reaction

Membranes can also form complexes, called tissues, due to the binding proteins on their surfaces. While on the one side we can model interactions between biochemical entities like proteins, proteins and lipids, or membranes, on the other side we are able to model as well chemical reactions (like the ones in [1]) using the multigraph rewriting: atoms represent the nodes, the covalence of an atom gives the number of identical ports, and chemical bonds between atoms are multiple edges.

The paper is divided in three parts: after giving basic definitions in Sect. 2, we first define in Sect. 3 the labeled multigraphs with ports, multigraph rewrite rules, and the multigraph rewriting relation; second, in Sect. 4, we encode the multigraphs and multigraph rewriting using algebraic terms and term rewriting to provide an operational semantics for the multigraph rewriting relation; and third, in Sect. 5, we embed the term approach on multigraph rewriting in the rewriting calculus obtaining for free a rewriting calculus for labeled multigraphs, called ρ_{mg} -calculus. Therefore we provide for the multigraph rewriting a high-level calculus extending algebraic rewriting allowing us to benefit from the properties of the ρ -calculus, especially the possibility of using rewriting strategies and rule conditions to control rule application. The operational correspondence result stated in Sect. 4 allows us to visually express quite complex multigraph transformations and perform them using term rewriting. In Sect. 6 we give some

implementation hints for multigraph rewriting and sketch some extensions and applications for multigraphs with ports.

2 Background

In this section we briefly review some basic definitions of order-sorted algebra ([13]), term rewriting ([14, 3]), graph theory and graph transformation [11, 17] used in this paper.

Term Algebra. A *many-sorted signature* is a pair (S, Σ) , where S is called the *sort set* and Σ is an $S^* \times S$ -sorted family $\{\Sigma_{w,s} \mid w \in S^* \text{ and } s \in S\}$. For $\mathcal{X} = \{\mathcal{X}_s\}$ an S -sorted family of disjoint sets of variables, $\mathcal{T}_\Sigma(\mathcal{X})$ is the smallest set of Σ -terms over \mathcal{X} built with operators from Σ and variables from \mathcal{X} . The set of all terms of sort s is denoted by $\mathcal{T}_{\Sigma,s}(\mathcal{X})$. Positions in a term are represented as sequences of integers. The empty sequence ϵ denotes the top position. The notation $t[s]_p$ emphasizes that s is a subterm of t occurring at position p . A *substitution* is a partial mapping from \mathcal{X} to terms and it uniquely extends to a Σ -endomorphism on $\mathcal{T}_\Sigma(\mathcal{X})$. A finite substitution is given as $\sigma = \{x_1 \mapsto t_1, \dots, x_n \mapsto t_n\}$, with $x_i \in \mathcal{X}$ and $t_i \in \mathcal{T}_\Sigma(\mathcal{X})$, for all $i = 1..n$. Considering for S a partially ordered set leads to quite similar definitions for order-sorted signatures, terms, and signatures [13].

Term Rewriting. A set \mathcal{R} of *rewrite rules* is a set of pairs of terms of $\mathcal{T}_\Sigma(\mathcal{X})$, denoted $l \rightarrow r$, such that l and r belong to the same sort, $l \notin \mathcal{X}$ and $Var(r) \subseteq Var(l)$. In this paper, we only consider finite sets of rewrite rules. The *rewriting relation* induced by \mathcal{R} is denoted by $\rightarrow_{\mathcal{R}}$ (\rightarrow if there is no ambiguity on \mathcal{R}), and defined by $s \rightarrow t$ iff there exists a substitution σ and a position p in s such that $s = s[\sigma]_p$ for some rule $l \rightarrow r$ of \mathcal{R} , and $t = s[\sigma r]_p$. This is written $s \xrightarrow{\mathcal{R}, p, l \rightarrow r, \sigma} t$ where either \mathcal{R} , p , $l \rightarrow r$, or σ may be omitted. The reflexive transitive closure of the rewriting relation induced by \mathcal{R} is denoted by $\xrightarrow{*}_{\mathcal{R}}$. A rewriting derivation is a chain of terms $t_1 \rightarrow t_1 \rightarrow \dots \rightarrow t_n$. If $t \xrightarrow{*}_{\mathcal{R}} t'$ and t' cannot be rewritten anymore then t' is called a *normal form* of t denoted by $t \downarrow_{\mathcal{R}}$. The existence of a unique normal form is guaranteed in particular when \mathcal{R} is confluent (two derivations issued from the same term eventually converge to a common term) and strongly terminating (every derivation terminates).

A *rewrite theory* on $\mathcal{T}_\Sigma(\mathcal{X})$ is a triple (Σ, E, \mathcal{R}) where E is a finite set of (sort-preserving) equalities and \mathcal{R} a finite set of rewrite rules. The relation $\rightarrow_{\mathcal{R}/E}$ on $\mathcal{T}_\Sigma(\mathcal{X})$ is $=_E; \rightarrow_{\mathcal{R}}; =_E$. It induces a relation $\rightarrow_{\mathcal{R}/E}$ on the quotient algebra $\mathcal{T}_\Sigma(\mathcal{X})/_E$ by $[t]_E \rightarrow_{\mathcal{R}/E} [t']_E$ iff $t \rightarrow_{\mathcal{R}/E} t'$. The relation $\rightarrow_{\mathcal{R},E}$ (called rewriting modulo E) on $\mathcal{T}_\Sigma(\mathcal{X})$ is defined by $s \rightarrow_{\mathcal{R},E} t$ iff there exists a substitution σ and a position p in s such that $s|_p =_E \sigma l$ for some rule $l \rightarrow r$ of \mathcal{R} , and $t = s[\sigma r]_p$. In this paper, we will consider theories E defined by specific axioms, namely associativity (A), associativity and commutativity (AC) and unit element (U) of certain function symbol.

Rewriting (rewriting modulo E) involves matching problems: a matching problem $t_1 \ll t$ is successful if there exist a substitution σ such that $\sigma(t_1) = t$

(resp. $\sigma(t_1) =_E t$). Matching (rewriting) modulo associative (A), associative with unit element (AU), associative-commutative (AC), or associative-commutative with unit element (ACU) theories, is an essential operation when modeling structures like list, sets or multisets using term rewriting. Usually an associative operator is represented using a *flattened* form. For example, the term $f(f(f(s,t),u),f(s,v))$ built using an associative operator f and the subterms s,t,u,v having top operators different from f , has the (unique) flattened form $f^*(s,t,u,s,v)$ where f^* is a variadic operator. When no confusion is likely to result, we use the same symbol for an operator and its flattened form.

Labeled Graphs. A *label alphabet* $\mathcal{L} = (\mathcal{L}_V, \mathcal{L}_E)$ is a pair of sets of node labels and edge labels. A (finite) *graph* over \mathcal{L} is a triple $G = (V, E, s, t, l)$ where V is a set $\{v_1, \dots, v_k\}$ of elements called *nodes* (or *vertices*), E is a set $\{e_1, \dots, e_m\}$ of elements of the Cartesian product $V \times V$ called *edges*, $s, t : E \rightarrow V$ are the source and target functions respectively, and $l = (l_V, l_E)$ is the *labeling function* for nodes ($l_V : V \rightarrow \mathcal{L}_V$) and edges ($l_E : E \rightarrow \mathcal{L}_E$). If G is a graph, we usually denote by V_G its node set and by E_G its edge set. An edge of the form (v, v) is called a *loop*. For an edge (u, v) , u and v are called *end nodes* with u the *source* and v the *target*; moreover we say that u and v are *adjacent* or *neighbouring* nodes, with v neighbour of u . An edge is *incident* to a node if the node is one of its end nodes. An edge is *multiple* if there is another edge with the same source and target; otherwise it is *simple*. A *multigraph* is a graph allowing multiple edges and loops. An *adjacency list* for a node is given by a list of pairs consisting of a neighbour and the corresponding edge label. If a node has no neighbour then its adjacency list is empty. A *subgraph* of a graph G is a graph whose node and edge sets are subsets of those of G . A *graph morphism* assigns the nodes and edges of a given graph to the nodes and edges of another graph while preserving adjacency. In the case of labeled graphs, the node and edge labeling is also preserved.

Graph Transformation. A *graph transformation rule* $L \rightsquigarrow R$ consists of two graphs L and R called the left- and right-hand side respectively, and a correspondence between elements of the left-hand side and elements of the right-hand side. This correspondence is provided by some unique identifiers associated to nodes.

As presented in [17], the application of a graph transformation rule $L \rightsquigarrow R$ to a graph G , called *host graph*, produces a new graph G' according to the following steps:

1. Find a matching morphism m for L in G (hence $m(L)$ is a subgraph of G).
2. Remove the subgraph $m(L)$ from G resulting in the context graph G^- .
3. Add $m(R)$ to the context graph G^- .
4. Reconnect $m(R)$ and G^- .

The differences between various approaches for graph replacement arise mainly in the last step, depending on the mechanism chosen for establishing connections between new and old nodes. Two particular problems are handled

at this stage ([11, 17]). The first one refers to whether or not noninjective matching is allowed. For example, if two different nodes L are matched to one node in the host graph, and one of the two nodes is deleted and the other preserved, will the node in the host graph be deleted or preserved? The second problem concerns the dangling edges in the host graph which are unmatched edges with one endpoint deleted by the transformation rule. These two problematic situations are referred to as the identification and the dangling problem respectively. We will see later how we handle these points in our framework.

3 Labeled Multigraphs with Ports

We refine the definition of multigraphs by typing nodes with names and by adding explicit connection points, called *ports*, to nodes; then edges attach, more specifically, to ports of nodes. Let \mathcal{P} be a finite set of ports and \mathcal{N} a finite set of node names.

Definition 1. A labeled multigraph with ports over \mathcal{N}, \mathcal{P} takes the form $G = (V, E, \iota, s, t, l)$ where:

- V is a finite set of nodes (also referred to as node identifiers);
- $\iota = (\iota_1, \iota_2) : V \rightarrow \mathcal{N} \times \mathcal{P}(\mathcal{P})$ assigns a name and a port set to each node, with $\iota_1(v) = n$ and $\iota_2(v) = P$ for $\iota(v) = (n, P)$;
- $E \subseteq \{(v \frown p, u \frown r) \in (V \times P)^2 \mid p \in \iota_2(v), r \in \iota_2(u)\}$ a finite multiset of edges;
- $s, t : E \rightarrow V \times P$ the usual source and target functions;
- $l = (l_V, l_E)$ is the labeling function associating to each node $v \in V$ the triple consisting of the identifier, the name, and the port set, $l_V(v) = \langle v : \iota_1(v) \parallel \iota_2(v) \rangle$, and to each edge $(v \frown p, u \frown r) \in E$ the couple formed by the source port and the target port, $l_E((v \frown p, u \frown r)) = (p, r)$.

Hereinafter we say (labeled) multigraph instead of labeled multigraph with ports if there is no risk of confusion. Let $\mathcal{P} = \{a, b, c, \dots\}$ and $\mathcal{N} = \{A, B, C, \dots\}$ the sets of constants denoting ports and names respectively. We consider variables ports and names as well, denoted by $\mathcal{X}_{\mathcal{P}} = \{x, y, z, \dots\}$ and $\mathcal{X}_{\mathcal{N}} = \{X, Y, Z, \dots\}$ respectively. We represent the node identifiers by non-empty sequences of integers. We denote by $\text{Var}(G)$ the set of variables occurring in G . In Fig. 2 we illustrate two views of a multigraphs with ports: on the left, we use the classical drawing of a labeled multigraph, while on the right, we emphasize the ports. We will use the latter more suggestive representation for multigraphs by representing a node as a box with the identifier and the name placed outside the box and a port as a small point on the surface of the box.

Graph transformation rules are instantiated in this context.

Definition 2. (Multigraph rewrite rule) A multigraph rewrite rule is an ordered pair of multigraphs over $\mathcal{N} \cup \mathcal{X}_{\mathcal{N}}, \mathcal{P} \cup \mathcal{X}_{\mathcal{P}}$ denoted by $L \rightsquigarrow R$, where all node identifiers in L are variables, and such that $\text{Var}(L) \supseteq \text{Var}(R)$. The multigraphs L and R are called the left- and right-hand side of the rule respectively.

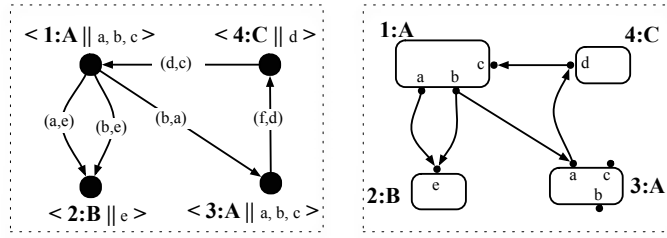


Fig. 2. Two views of a labeled multigraph with ports

Definition 3. (Node-substitution) *The correspondence between nodes of the left- and right-hand side of a multigraph rewrite rule $L \rightsquigarrow R$ is a mapping $\xi : V_L \rightarrow \mathcal{P}(V_R)$ that we call node-substitution. It associates to each node v in L a (possibly empty) set of nodes in R . In practice, it associates to each node v in L the set of all nodes in R whose identifiers contain v ; if v is deleted then it does not occur in the node identifiers in R and $\xi(v) = \emptyset$.*

Given the definition above, we assume that for each multigraph rewrite rule we can automatically extract from the node identifiers the node-substitution.

Example 4. We illustrate in Fig. 3 four multigraph transformation rules: (a) splitting a node with $\xi(i) = \{i.1, i.2\}$, $\xi(j) = \{j\}$; (b) deleting a node with $\xi(i) = \emptyset$, $\xi(j) = \{j\}$; (c) deleting two edges with $\xi(v) = \{v\}$ for each node v ; (d) merging two nodes $\xi(i) = \xi(j) = \{i.j\}$.

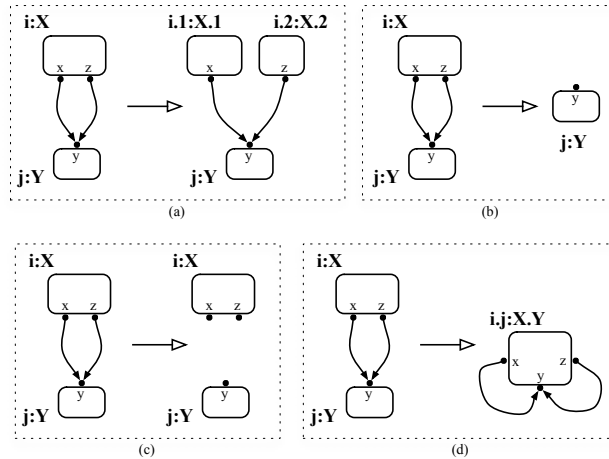


Fig. 3. Multigraph rewrite rules

We call a *partial node* of a node v with $\iota(v) = (n, P)$ a node with the same identifier, the same name, and a non-empty subset of P as the port set.

Let $L \rightsquigarrow R$ be a multigraph rewrite rule applied to the multigraph G with ξ the associated node-substitution. Then a matching morphism m for L in G assigns the nodes of L to partial nodes of G while preserving adjacency. Each matched node $v \in V_G$ with some unmatched ports can be partitioned into a matched partial node containing the matched ports (hence it occurs in $m(L)$), and an *unmatched partial node* containing the unmatched ports. A constant name can be mapped by a multigraph morphism only to itself.

The delicate point of applying $L \rightsquigarrow R$ to G is to properly define the replacement of $m(L)$ by $m(R)$ in G and the way $m(R)$ is reconnected with G . Let us first illustrate graphically in Fig. 4 the replacement procedure: the first graph is G where the area with the dashed border represents $m(L)$; the second graph is also G but where we emphasize the edges (that we call *bridges*) connecting unmatched nodes to matched nodes; and the third graph represents the result of replacing the subgraph $m(L)$ by $m(R)$ and we see that some bridges are pending if their targets formerly in $m(L)$ no longer occur in $m(R)$. The step of reconnecting identifies the old end node of the bridges from $m(L)$ with their correspondent nodes from $m(R)$ given by $\xi(m)$. The same operation must be performed as well on the unmatched edges and unmatched partial nodes. Then, the result of the multigraph rewriting of G consists of putting together the context multigraph G^- , $m(R)$, and the updated unmatched edges and partial nodes, and bridges using $\xi(m)$. The unmatched partial nodes have to be updated first, since they can be end points for unmatched edges or bridges.

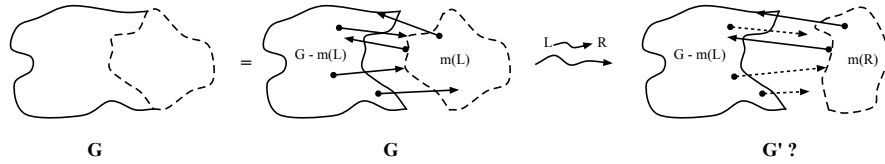


Fig. 4. A graph replacement sketch

The *context multigraph* $G^- = G \setminus m(L)$ is given by the set of nodes $V_{G^-} = V_G \setminus V_{m(L)}$, and the set of edges $E_{G^-} = \{(u \frown p, v \frown r) \in E_G \mid u, v \in V_{G^-}\}$.

We denote by \mathcal{U}_n the set of *unmatched partial nodes*, by \mathcal{U}_e the set of *unmatched edges* (i.e., the not matched edges whose both endpoints are matched), and by \mathcal{B} the set of *bridges* (i.e., the edges in G not matched by an edge of L , with one end a matched node and the other end not matched).

If $v \in \mathcal{U}_n$ and $\xi(v) = \{v_1, \dots, v_k\}$ then, for each k -partition (P_1, \dots, P_k) of the port set $\iota_2(v)$, we have $m(\xi)(v) = \{m(v_1), \dots, m(v_k)\}$ with $\iota_2(v_i) = P_i$. The application of $m(\xi)$ on a set of edges E is defined component-wise, and $m(\xi)((u \frown p, v \frown r)) = \{(u_k \frown p, v_i \frown r) \mid u_k \in m(\xi)(u) \text{ s.t. } p \in \iota_2(u_k) \text{ and } v_i \in m(\xi)(v) \text{ s.t. } r \in \iota_2(v_i)\}$.

By analogy with term rewriting, we can write $G = G^- [m(L)]_{\mathcal{U}_n, \mathcal{U}_e, \mathcal{B}}$, as a decomposition of G into the context graph G^- , the matched subgraph $m(L)$, the unmatched partial nodes \mathcal{U}_n , the unmatched edges \mathcal{U}_e , and the bridges \mathcal{B} . Then, once $m(R)$ is computed, it is replaced in the context multigraph G^- and the bridges are reconnected, thanks to $m(\xi)(\mathcal{U}_n)$, $m(\xi)(\mathcal{U}_e)$, and $m(\xi)(\mathcal{B})$, to get a resulting multigraph $G^- [m(R)]_{m(\xi)(\mathcal{U}_n), m(\xi)(\mathcal{U}_e), m(\xi)(\mathcal{B})}$.

We are now able to formulate the definition of multigraph rewriting.

Definition 5. (Multigraph rewriting relation) *Given a multigraph rewrite system \mathcal{R} , a multigraph G rewrites to a multigraph G' , denoted by $G \rightsquigarrow_{\mathcal{R}} G'$, if there exists:*

- a multigraph rewrite rule $L \rightsquigarrow R$ in \mathcal{R} ,
- a multigraph morphism m such that $m(L)$ is a subgraph of G ,
- a set of unmatched partial nodes \mathcal{U}_n , a set of unmatched edges \mathcal{U}_e , and a set of bridges \mathcal{B} ,

such that $G = G^- [m(L)]_{\mathcal{U}_n, \mathcal{U}_e, \mathcal{B}}$ and $G' = G^- [m(R)]_{m(\xi)(\mathcal{U}_n), m(\xi)(\mathcal{U}_e), m(\xi)(\mathcal{B})}$.

With respect to the discussion at the end of Section 2 concerning the identification and the dangling problems, the particularities of labeled multigraphs with ports transformations are first, that we consider only injective matching morphism, second, that when deleting a node, all its incident edges are deleted as well.

Example 6. We illustrate in Fig. 5 a multigraph resulting from rewriting G (also given in Fig. 2) using the rule r (also given in Fig. 3 (a)). The resulting multigraph G' is obtained by splitting the node 1, choosing to place the unmatched port c in 1.2, and then redirecting the two bridges $(4 \frown d, 1 \frown c)$ and $(1 \frown b, 3 \frown a)$ to 1.2. In the intermediate step we emphasize the incidence of the node 4 to the unmatched partial node 1 with the the port set $\{c\}$. The node-substitution may identify this partial node to either of the two resulting nodes 1.1 and 1.2. Therefore two solutions are possible: the one illustrated in Fig. 5, and the other one where c is placed in the node 1.1.

In order to define multigraph rewriting in a more operational way, we choose to go in the world of algebraic terms and term rewrite rules and to benefit from a classical ACU-matching algorithm for the application of rewrite rules.

4 Term Rewriting Semantics for Multigraph Rewriting

In this section we define an encoding function \mathcal{E} for multigraphs, multigraph rewrite rules, and multigraph rewrite relation as particular terms, term rewrite rules, and term rewriting relation respectively.

Concerning the problem of dangling edges, instead of mapping a node from the left-hand side to an empty set of nodes from the right-hand side, we introduce a special node \bullet called the *black hole*. Consequently, we replace a deleted node in

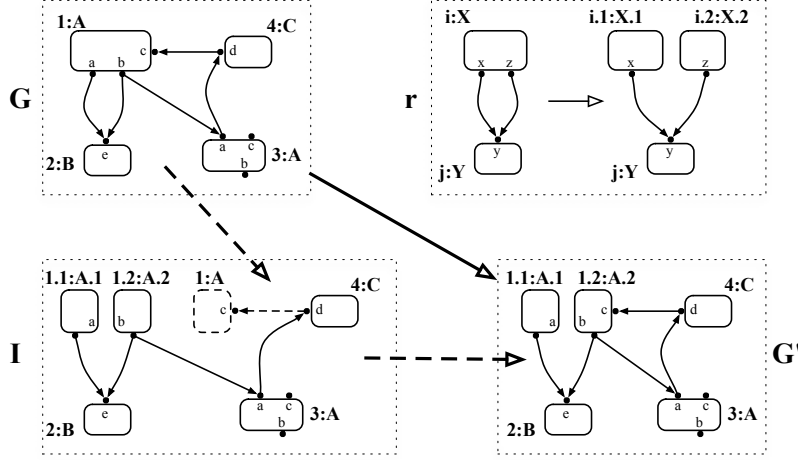


Fig. 5. An application of the multigraph rewrite rule r on G resulting in the multigraph G' with an intermediate multigraph I

an intermediate step by a black hole whose behaviour consists in deleting itself along with the incident edges. In a similar way we use the black hole to replace in an intermediary step a deleted port as well. Hence, the dangling edges are deleted using some particular intermediate and transparent operation as we will see later in this section.

We define an order-sorted signature $\Sigma = (\mathcal{S}, <, \mathcal{F})$ for encoding multigraphs, where, in order to eliminate redundancies, we represent a multigraph as a pair made of the set of node labels and the set of adjacency lists (for each node we list its neighbours with the corresponding edges as pairs of ports):

the sort set \mathcal{S} consists of sorts for each component or set of components: *Id*, *Name*, *Port*, *Node*, *Edge*, *Neighbour*, *AdjacencyEq*, *PortSet*, *NodeSet*, *EdgeSet*, *NeighbourSet*, *AdjacencyEqSet*, *MGraph*.

the subsort relation is defined by $X < XSet$ for $X \in \{Port, Node, Edge, Neighbour, AdjacencyEq, MGraph\}$, i.e. each term of sort X can be seen as a set with a single element.

the operation set \mathcal{F} allowing to describe the graph structure, is given in Fig. 6 where X takes sort values from the set $\{Node, Edge, Neighbour, AdjacencyEq\}$. The associative-commutative operator $-, -$ (union) is overloaded on each of the set sorts, and ϵ_X denotes the identity element (the empty set) for the operation $-, -$. We use ϵ instead of ϵ_X whenever the sort X can be easily deduced from the context. The constant operator \bullet is overloaded as well, it can be an *Id*-, a *Port*- or a *Node*-sorted term.

Let \mathcal{X} be an $(\mathcal{S}, <)$ -sorted family of variables.

$\bullet : \longrightarrow Id$	$\bullet : \longrightarrow Port$	$\bullet : \longrightarrow Node$	$\epsilon_X : \longrightarrow XSet$
$\rightarrow, - : XSet \ XSet \longrightarrow XSet \ [ACU(\epsilon_X)]$			
$\langle -, - \parallel - \rangle : Id \ Name \ PortSet \longrightarrow Node$			
$(-, -) : Port \ Port \longrightarrow Edge$			
$-\hat{\ }- : Id \ EdgeSet \longrightarrow Neighbour$			
$-\simeq- : Id \ NeighbourSet \longrightarrow AdjacencyEq$			
$-(_) : NodeSet \ AdjacencyEqSet \longrightarrow MGraph$			

Fig. 6. The operation set \mathcal{F}

Definition 7. (Encoding multigraphs as terms) We encode a labeled multigraph $G = (V, E)$ as an algebraic term $\mathcal{E}(G) = T_1 \langle T_2 \rangle$ of sort $MGraph$ where:

- $T_1 \in \mathcal{T}_{\Sigma, NodeSet}(\mathcal{X})$ is the set of all node labels in G , and
- $T_2 \in \mathcal{T}_{\Sigma, AdjacencyEqSet}(\mathcal{X})$ is the set of adjacency equations providing the neighbours for each node in V (if any) and the pairs of ports corresponding to the incident edges.

Additionally, algebraic terms encoding multigraphs must satisfy some structural properties in order to be considered well-formed.

Definition 8. (Well-formed terms) A term $t \in \mathcal{T}_{\Sigma, MGraph}(\mathcal{X})$ is well-formed if:

- each node identifier occurs at most once: in the node set, in the adjacency equation set as left-hand side of an adjacency equation, in the neighbour set of a node identifier;
- each node identifier or port occurring in the adjacency equation set must also occur in the node set.

We also impose a canonical form (a representative of each equivalence class modulo ACU) for the terms encoding multigraphs, in order to eliminate useless information as follows:

Definition 9. (Canonical form) A term $t \in \mathcal{T}_{\Sigma, MGraph}(\mathcal{X})$ is in canonical form if:

- right-hand sides of adjacency equations are non-empty sets of neighbours;
- only non-empty set of edges occur in neighbour terms.

Example 10. The multigraph G illustrated in Fig. 2 is encoded as the following term: $\mathcal{E}(G) = (\langle 1 : A \parallel a, b, c \rangle, \langle 2 : B \parallel e \rangle, \langle 3 : A \parallel a, b, c \rangle, \langle 4 : C \parallel d \rangle) \langle 1 \simeq (2 \hat{\ } (a, e), (b, e)), (3 \hat{\ } (b, a)), (3 \simeq 4 \hat{\ } (a, d)), (4 \simeq 1 \hat{\ } (d, c)) \rangle$.

For all rewrite rules over $\mathcal{T}_{\Sigma, MGraph}(\mathcal{X})$, according to Definition 2, we impose node identifiers occurring in the left-hand side to be variables. We say that a rewrite rule over $\mathcal{T}_{\Sigma, MGraph}(\mathcal{X})$ is well-formed (in canonical form) if both t_1 and t_2 are well-formed (in canonical form respectively). We call *mg-rewrite rule* a well-formed rewrite rule in canonical form.

Definition 11. (Encoding multigraph rewrite rules as term rewrite rules) Given a labeled multigraph rewrite rule $L \rightsquigarrow R$, we encode it as a term rewrite rule $\mathcal{E}(L \rightsquigarrow R) = \mathcal{E}(L) \rightarrow \mathcal{E}(R)$.

The encoding of a multigraph rewrite rule is an **mg**-rewrite rule since, by definition, the term encoding a multigraph is well-formed and in canonical form.

The *node-substitution* from nodes of the left-hand side to nodes of the right-hand side of an **mg**-rewrite rule can be extracted automatically by means of an analysis on the identifier occurrences. We call this procedure **GetMap**; it produces a set of elementary mappings (or elementary node-substitutions) from $\mathcal{T}_{\Sigma, Node}(\mathcal{X})$ to $\mathcal{T}_{\Sigma, NodeSet}(\mathcal{X})$ for each node occurring in the left-hand side of the rule. Identity mappings are usually omitted. Note that the node-substitution for a multigraph rewrite rule is encoded as in the following example.

Example 12. The encoding of the multigraph rewrite rule (a) given in Fig. 3 is:

$$\begin{aligned} & (\langle i : X \parallel x, z \rangle, \langle j : Y \parallel y \rangle) (\langle i \simeq j \wedge (x, y), (z, y) \rangle) \rightarrow \\ & (\langle i.1 : X.1 \parallel x \rangle, \langle i.2 : X.2 \parallel z \rangle, \langle j : Y \parallel y \rangle) (\langle i.1 \simeq j \wedge (x, y), (i.2 \simeq j \wedge (z, y)) \rangle) \end{aligned}$$

with the node-substitution $\xi = \{ \langle i : X \parallel x, z \rangle \mapsto (\langle i.1 : X.1 \parallel x \rangle, \langle i.2 : X.2 \parallel z \rangle), \langle j : Y \parallel y \rangle \mapsto \langle j : Y \parallel y \rangle \}$.

After encoding multigraphs and their transformation rules, we now translate multigraph rewriting into term rewriting.

In a first step we customize the rewrite rules on $\mathcal{T}_{MGraph}(\mathcal{X})$ before applying them. In order to model multigraph rewriting using algebraic terms, we need to handle the context of the multigraph in which the replacement is performed. This is done by a systematic enrichment of rewrite rules with extension variables that help storing the context and applying rewrite steps in subterms. This is a usual method employed when performing rewriting modulo associativity and commutativity [15]. We usually denote by W an extension variable and by \bar{t} the extension of term t . For each rewrite rule $t_1 \rightarrow t_2$, extension variables are appended to set-sorted terms to produce the extended rule $(\bar{t}_1 \rightarrow \bar{t}_2)$. An extension variable is added to each set-sorted subterm in the left-hand side (and accordingly in the right-hand side). This technical construction is formalised in the definition below. For this operation we consider also the trivial node-substitutions, $t \mapsto t$ with $t \in \mathcal{T}_{\Sigma, Node}(\mathcal{X})$.

Definition 13. (Extending an mg-rewrite rule) The extension of an *mg*-rewrite rule $t_1 \rightarrow t_2$, where ξ is its node-substitution, consists in adding extension variables for the set operators according to the following steps:

1. Extend the node-substitution

If $\xi = \{ \xi_1, \dots, \xi_m \}$ then its extension is $\bar{\xi} = \{ \bar{\xi}_1, \dots, \bar{\xi}_m \}$. For each elementary node-substitution $\xi_k = \{ \langle i : t \parallel P \rangle \rightsquigarrow \langle i_1 : t_1 \parallel P_1 \rangle, \dots, \langle i_n : t_n \parallel P_n \rangle \}$ with $P, P_1, \dots, P_n \in \mathcal{T}_{\Sigma, PortSet}(\mathcal{X})$, its extension is:

$$\bar{\xi}_k = \langle i : t \parallel P, W_1, \dots, W_n \rangle \rightsquigarrow \langle i_1 : t_1 \parallel P_1, W_1 \rangle, \dots, \langle i_n : t_n \parallel P_n, W_n \rangle$$

where $\{W_k\}_{k=1..n}$ are pairwise distinct and fresh extension variables of sort *PortSet*.

If $\xi_k = \langle i : t \parallel P \rangle \rightsquigarrow \bullet$ then $\overline{\xi_k} = \langle i : t \parallel P, W \rangle \rightsquigarrow \bullet$, with W a fresh extension variable of sort *PortSet*.

2. Extend the left-hand side of the rule

If $t_1 = N_1(A_1)$, its extension is $\overline{t_1} = \overline{N_1(A_1)}$ where:

- $\overline{N_1}$ is obtained from N_1 by replacing each Node-term by its extension as computed for the node-substitution and appending a fresh extension variable of sort *NodeSet*;
- $\overline{A_1}$ is obtained from A_1 by adding a new extension variable for each term of sort *EdgeSet*, *NeighbourSet*, *AdjacencyEqSet*.

3. Extend the right-hand side of the rule

If $t_2 = N_2(A_2)$ and $\overline{t_1} = (\overline{u_1}, \dots, \overline{u_m}, W_1)(\overline{a_1}, \dots, \overline{a_l}, W_2)$ then $\overline{t_2} = \overline{N_2(A_2)}$ where:

- $\overline{N_2} = (\overline{\xi}(\overline{u_1}), \dots, \overline{\xi}(\overline{u_m})) \downarrow_{\mathcal{R}}, W_1, \{\langle i : v \parallel P \rangle \in N_2 \mid i \notin \text{dom}(\xi)\}$, where \mathcal{R} are the rules for transforming a term in canonical form;
- $\overline{A_2} = A_2, (\overline{a_1} \setminus a_1), \dots, (\overline{a_l} \setminus a_l)$ where \setminus computes the difference between adjacency equations which consists in removing the edges appearing in the right-hand side from the left-hand side (for example $(X \simeq (Y \frown x, L_1), L_2) \setminus (X \simeq Y \frown x) = (X \simeq (Y \frown L_1), L_2)$).

Example 14. The extension of the rule given in Example 12 is:

$$\begin{aligned} & (\langle i : X \parallel x, z, W_1^p, W_2^p \rangle, \langle j : Y \parallel y, W_3^p, W_4^p \rangle) \langle (i \simeq (j \frown ((x, y), (z, y), W_5^e)), W_6^h), W_7^a \rangle \rightarrow \\ & (\langle i.1 : X.1 \parallel x, W_1^p \rangle, \langle i.2 : X.2 \parallel z, W_2^p \rangle, \langle j : Y \parallel y, W_3^p, W_4^p \rangle) \langle (i.1 \simeq j \frown (x, y)), \\ & (i.2 \simeq j \frown (z, y)), (i \simeq (j \frown W_5^e), W_6^h), W_7^a \rangle \end{aligned}$$

with the node-substitution $\xi = (\langle i : X \parallel x, z, W_1^p, W_2^p \rangle \mapsto \langle i.1 : X.1 \parallel x, W_1^p \rangle, \langle i.2 : X.2 \parallel z, W_2^p \rangle), (\langle j : Y \parallel y, W_3^p \rangle \mapsto \langle j : Y \parallel y, W_3^p \rangle)$ where the extension variables W_i have appropriate set sorts. The exponents used for the extension variables indicate their set sort: p for *PortSet*, n for *NodeSet*, e for *EdgeSet*, h for *NeighbourSet*, a for *AdjacencyEqSet*.

Instantiation of a node-substitution. Let σ be a substitution and ξ a node-substitution. We denote by ξ^σ the instantiation by σ of variables occurring in ξ computed component-wise: $\{t \mapsto t_1, \dots, t_k\}^\sigma = \{\sigma(t) \mapsto \sigma(t_1), \dots, \sigma(t_k)\}$.

Node-substitution application. The application of a node-substitution ξ on a term consists in applying sequentially each elementary node-substitution of ξ on the term; this is illustrated in Fig. 7. An elementary node-substitution is propagated inside an *MGraph*-sorted term using (**Propagate**), inside the set of adjacency equations of neighbours using (**Distribute**), and then applied on each of them. The application of a node-substitution on an adjacency equation using (**ApplySrc**) (or a neighbour using (**ApplyTar**)) transforms it in n adjacency equations (resp. neighbours), one for each corresponding node in the right-hand side of the mapping, and propagates the node-substitution application on the set of neighbours. We illustrate this operation in Example 17.

(Propagate)	$\{t \mapsto T\}N(A) \Longrightarrow N(\{t \rightsquigarrow T\}A)$
(Distribute)	$\{t \mapsto T\}(S_1, \dots, S_k) \Longrightarrow \{t \mapsto T\}S_1, \dots, \{t_1 \mapsto t_2\}S_k$
(ApplySrc)	$\{t \mapsto t_1, \dots, t_n\}(i \simeq V) \Longrightarrow$ if $id(t) \neq i$ then $i \simeq (\{t \mapsto t_1, \dots, t_n\}V)$ else $id(t_1) \simeq (\{t \mapsto t_1, \dots, t_n\}V), \dots, id(t_n) \simeq (\{t \mapsto t_1, \dots, t_n\}V)$
(ApplyTar)	$\{t \mapsto t_1, \dots, t_n\}(i \frown E) \Longrightarrow$ if $id(t) \neq i$ then $i \frown E$ else $id(t_1) \frown E, \dots, id(t_n) \frown E$

Fig. 7. Node-substitution application

After applying a node-substitution, the *MGraph*-terms may be neither well-formed, nor in canonical form, hence they require some cleaning and restructuring operations.

Cleaning. Let \mathcal{C} be the rewrite system defined by the cleaning rules presented in Fig. 8 which transform terms with respect the condition of well-formedness of *MGraph*-sorted terms specified in Definition 8 as follows: (c_1) deletes the adjacency equations for black holes; (c_2) deletes the black hole neighbours; (c_3) handles the removal of extra-edges (edges whose endpoints do not appear among the ports of the connected nodes).

The extra-edges appear as a consequence of the application of the node-substitution according to (ApplySrc) and (ApplyTar) on adjacency equations and neighbours respectively, without checking the connectivity between the new nodes. An illustration of the cleaning operation can be found in Example 17.

$u, v : Id, t_1, t_2 : NeighbourSet, t_3, t_4 : EdgeSet, p, r : Port$
(c_1) $\bullet \simeq t_1 \rightarrow \epsilon_{AdjacencyEq}$
(c_2) $\bullet \frown t_3 \rightarrow \epsilon_{Neighbour}$
(c_3) $(v \simeq t_1, (u \frown t_3, (p, r), t_4), t_2) \rightarrow (v \simeq t_1, (u \frown t_3, t_4), t_2)$ if $p \notin ports(v)$ or $r \notin ports(u)$

Fig. 8. Cleaning rules \mathcal{C}

Restructuring. Let \mathcal{R} be the rewrite system defined by the rules presented in Fig. 9, which transforms terms in the canonical form specified by Definition 9 as follows: (r_1) merges nodes having the same identifier into one node by merging their port sets; (r_2) deletes a neighbour with empty set of edges; (r_3) merges the associated sets of edges for identical neighbours; (r_4) deletes adjacency equations with empty set of neighbours; (r_5) merges adjacency equations having the same identifier in the first component into one adjacency equation by merging the sets in the second component.

Proposition 15. \mathcal{C} and \mathcal{R} are strongly terminating and confluent.

$$\begin{aligned}
& v : Id, n : Name, t_1, t_2 : PortSet, t_3, t_4 : NeighbourSet, t_5, t_6 : EdgeSet \\
(r_1) & \langle v : n \parallel t_1 \rangle, \langle v : n \parallel t_2 \rangle \rightarrow \langle v : n \parallel t_1, t_2 \rangle \\
(r_2) & v \frown \epsilon_{Edge} \rightarrow \epsilon_{Neighbour} \\
(r_3) & (v \frown t_5), (v \frown t_6) \rightarrow v \frown t_5, t_6 \\
(r_4) & v \simeq \epsilon_{Neighbour} \rightarrow \epsilon_{AdjacencyEq} \\
(r_5) & (v \simeq t_3), (v \simeq t_4) \rightarrow v \simeq t_3, t_4
\end{aligned}$$

Fig. 9. Restructuring rules \mathcal{R}

Proof. For a term $t \in \mathcal{T}_\Sigma(\mathcal{X})$, we denote by $|t|$ the size of t , and, for $x \in \mathcal{X}$ by $|t|_x$ the number of occurrences of x in t . Then we define as expected a reduction order $>$ on $\mathcal{T}_\Sigma(\mathcal{X})$ by: $t > t'$ iff $|t| > |t'|$ and $\forall x \in \mathcal{X}, |t|_x > |t'|_x$, which helps proving that both rewriting systems \mathcal{C} and \mathcal{R} strongly terminate.

Each of the rewriting system \mathcal{C} and \mathcal{R} is confluent since all their critical pairs, which are quite simple to find, are joinable. □

We are now ready to define the **mg**-rewriting relation. Operationally, we apply extended rewrite rules, which allows us to deal only with rule application at the root position of terms.

Definition 16. (mg-rewriting relation) *A term t of sort $MGraph$ rewrites to a term t' using an mg-rewrite rule $r : t_1 \rightarrow t_2$ where $t_1, t_2 \in \mathcal{T}_{\Sigma, MGraph}(\mathcal{X})$ with $\bar{r} : \bar{t}_1 \rightarrow \bar{t}_2$ and $\xi = \text{GetMap}(\bar{r})$, which is denoted by $t \xrightarrow{\bar{r}} t'$, if there exists a substitution σ , a solution of the ACU-matching problem $\bar{t}_1 \ll t$, such that $t' = \xi^\sigma(\sigma(\bar{t}_2)) \downarrow_{\mathcal{C}} \downarrow_{\mathcal{R}}$. We call this relation **mg**-rewriting and we say that t **mg**-rewrites to t' by r .*

Example 17. We present here a solution of **mg**-rewriting the term $t = \mathcal{E}(G)$ from Example 10 encoding the multigraph from Fig. 2, using the rewrite rule $t_1 \rightarrow t_2$ given in Example 12 and extended in Example 14 which encodes the multigraph rewrite rule (a) from Fig. 3. This **mg**-rewriting corresponds to the multigraph rewriting depicted in Fig. 5.

1. one solution of the matching problem $\bar{t}_1 \ll t$ is given by the substitution $\sigma = \{i \mapsto 1, X \mapsto A, x \mapsto a, z \mapsto b, j \mapsto 2, Y \mapsto B, y \mapsto e, W_1^p \mapsto \epsilon, W_2^p \mapsto c, W_3^p \mapsto \epsilon, W_4^n \mapsto (\langle 3 : A \parallel a, b, c \rangle, \langle 4 : C \parallel d \rangle), W_5^e \mapsto \epsilon, W_6^h \mapsto 3 \frown (b, a), W_7^a \mapsto ((3 \simeq 4 \frown (a, d)), (4 \simeq 1 \frown (d, c)))\}$
2. $\sigma(\bar{t}_2) = (\langle 1.1 : A.1 \parallel a \rangle, \langle 1.2 : A.2 \parallel b, c \rangle, \langle 2 : B \parallel e \rangle, \langle 3 : A \parallel a, b, c \rangle, \langle 4 : C \parallel d \rangle) \parallel (1.1 \simeq (2 \frown (a, e)), 1.2 \simeq (2 \frown (b, e)), (3 \frown (b, a)), (3 \simeq 4 \frown (a, d)), (4 \simeq 1 \frown (d, c)))$ and we note the occurrence of the node identifier 1 in the adjacency equation set which is no longer a valid node identifier in this term;
3. $\xi^\sigma = (\langle 1 : A \parallel a, b, c \rangle) \mapsto \langle 1.1 : A.1 \parallel a \rangle, \langle 2.2 : A.2 \parallel b, c \rangle, (\langle 2 : B \parallel e \rangle) \mapsto \{\langle 2 : B \parallel e \rangle\}$
4. $\xi^\sigma(\sigma(\bar{t}_2)) \xRightarrow{+} (\langle 1.1 : A.1 \parallel a \rangle, \langle 1.2 : A.2 \parallel b, c \rangle, \langle 2 : B \parallel e \rangle, \langle 3 : A \parallel a, b, c \rangle, \langle 4 : C \parallel d \rangle) \parallel (1.1 \simeq (2 \frown (a, e)), 1.2 \simeq (2 \frown (b, e)), (3 \frown (b, a)), (3 \simeq$

- $4 \frown (a, d), (4 \simeq 1.1 \frown (d, c), 1.2 \frown (d, c)) \Downarrow$ by applying at the end the rule (ApplyTar) on $4 \simeq 1 \frown (d, c)$;
5. $\xi^\sigma(\sigma(\overline{t_2})) \downarrow_{\mathcal{C}} = (\langle 1.1 : A.1 \parallel a, \rangle, \langle 1.2 : A.2 \parallel b, c \rangle, \langle 2 : B \parallel e \rangle, \langle 3 : A \parallel a, b, c \rangle, \langle 4 : C \parallel d \rangle) \Downarrow$ $(1.1 \simeq (2 \frown (a, e)), 1.2 \simeq (2 \frown (b, e)), (3 \frown (b, a)), (3 \simeq 4 \frown (a, d)), (4 \simeq 1.2 \frown (d, c))) \Downarrow$ using the reduction $4 \simeq 1.1 \frown (d, c), 1.2 \frown (d, c) \xrightarrow{(ExtraEdges)} 4 \simeq 1.2 \frown (d, c)$ since c does not occur in the port set of the node identified by 1.1, but occurs in the port set of the node identified by 1.2;
 6. $\xi^\sigma(\sigma(\overline{t_2})) \downarrow_{\mathcal{C}} \downarrow_{\mathcal{R}} = \xi^\sigma(\sigma(\overline{t_2})) \downarrow_{\mathcal{C}}$ since no restructuring rule is applied.

The above solution σ of the matching problem leads to the result term $\xi^\sigma(\sigma(\overline{t_2})) \downarrow_{\mathcal{C}} \downarrow_{\mathcal{R}}$ which in fact is the encoding of the multigraph G' in Fig. 5.

Proposition 18. *If t mg-rewrites to t' and t is a well-formed term in canonical form then t' is well-formed and in canonical form.*

Proof. The uniqueness of the occurrences of a node identifier in the node set is ensured by the normalization w.r.t. (r_1) , in the adjacency equation set as left-hand side of an by the normalization w.r.t. (r_5) , and in the neighbour set by the normalization w.r.t. (r_3) .

Since t is well-formed, the application of a mg-rewrite rule does not introduce new node identifiers in the adjacency equation list without introducing them as well in the node set. The occurrences of ports that no longer exist (since the node they were placed in was deleted) are removed from the adjacency equation set using the rules (c_1) and (c_2) . In addition, the normalization w.r.t. to the rule (c_3) ensures the exclusive presence of edges with valid ports.

The rules (r_2) and (r_4) eliminate adjacency equations with empty sets of neighbours and neighbours with empty sets of edges.

In conclusion, since t' is irreducible w.r.t. \mathcal{R} and \mathcal{C} by definition, it results that t' is well-formed and in canonical form. □

Theorem 19. (Operational correspondence)

1) Let G, G' be two multigraphs, r a multigraph rewrite rule and m a multigraph morphism such that $G \xrightarrow{r} G'$ using m . Then there exists a substitution σ and a term t' such that $\mathcal{E}(G) \xrightarrow{\overline{\mathcal{E}(r)}} t'$ using the substitution σ and $t' = \mathcal{E}(G')$.

2) Let G be multigraph, $t = \mathcal{E}(G)$, $t_1 \rightarrow t_2$ an mg-rewrite rule, and t' such that $t \xrightarrow{\overline{t_1 \rightarrow t_2}} t'$ with σ the solution of the matching $\overline{t_1} \ll t$ used in the rewriting. Then there exist (i) a multigraph rewrite rule r satisfying $\mathcal{E}(r) = t_1 \rightarrow t_2$, (ii) a multigraph morphism that can be constructed using σ and the structures of t and G , and (iii) a multigraph G' such that $G \xrightarrow{r} G'$ using the matching morphism m and $\mathcal{E}(G') = t'$.

$$\begin{array}{ccc}
 G & \xrightarrow[\quad m \quad]{\quad r \quad} & G' \\
 \downarrow \varepsilon & & \downarrow \varepsilon \\
 \mathcal{E}(G) = t & \xrightarrow[\exists \sigma]{\overline{\mathcal{E}(r)}} & \exists t'
 \end{array}
 \qquad
 \begin{array}{ccc}
 \mathcal{E}(G) = t & \xrightarrow[\sigma]{\overline{t_1 \rightarrow t_2}} & t' \\
 \uparrow \varepsilon & & \uparrow \varepsilon \\
 G & \xrightarrow[\exists m]{\exists r \text{ s.t. } \mathcal{E}(r) = t_1 \rightarrow t_2} & \exists G'
 \end{array}$$

Proof. 1) We start by encoding the multigraph rewrite rule $r = G_1 \rightsquigarrow G_2$ as $\mathcal{E}(r) = t_1 \rightarrow t_2$ and extending it.

Let us compute a substitution σ' based on the matching morphism m . For each mapping of the type $m(i) = i'$, with $\iota(i) = (n, P)$ and $\iota(i') = (n', P')$ we define $\sigma'(i) = i'$, and if n is variable then $\sigma'(n) = n'$. While for each mapping $m(p) = p'$ with $p, p' : Port$, if p is variable then $\sigma'(p) = p'$.

At this point $\sigma'(\overline{t_1})$ contains as variables only extension variables which capture sets of nodes, ports, adjacency equations, neighbours, and edges. By solving the matching problem $\sigma'(\overline{t_1}) \ll t$ we recover a substitution σ'' for the extension variables. During the solving process of the matching problem $\sigma'(\overline{t_1}) \ll t$, we replace a matching equation $u \ll v$ with $u, v \in \mathcal{T}_{\Sigma, Node}(\mathcal{X})$ by $\xi(u) \ll \xi(v)$ and solve it. This ensures us to choose the same partition for the port sets as for the unmatched partial nodes in the multigraph rewriting process.

Let us define σ as the composition of σ' and σ'' . Then the mapping ξ^σ is built to mimic the connection process between nodes of G^- and $m(G_2)$ by handling the unmatched partial nodes, the unmatched edges and the bridges. The unmatched partial nodes are replaced by their correspondents, the end-points of unmatched edges are updated, and the dangling bridges are redirected by applying ξ^σ to $\sigma(\overline{t_2})$. Consequently, $\xi^\sigma(\sigma(\overline{t_2}))$ is a representation of $G^-[m(G_2)]_{m(\xi)(\mathcal{U}_n), m(\xi)(\mathcal{U}_e), m(\xi)(\mathcal{B})}$. Then normalization w.r.t. the cleaning rules of \mathcal{C} corresponds to removing deleted nodes and ports and their incident edges. In the end, we make sure the term is well-formed by normalizing w.r.t. \mathcal{R} . We thus get a term t' which is indeed $\mathcal{E}(G')$.

2) Let us first define recursively the inverse operation of the encoding \mathcal{E} , which we denote by \mathcal{E}^{-1} :

$$\begin{aligned} \mathcal{E}^{-1}(N(\!|A\!|)) &= (\mathcal{E}^{-1}(N), \mathcal{E}^{-1}(A)), \text{ if } N(\!|A\!|) \text{ is well-formed and in canonical form} \\ \mathcal{E}^{-1}(T_1, \dots, T_k) &= \{\mathcal{E}^{-1}(T_1), \dots, \mathcal{E}^{-1}(T_k)\}, \text{ for } T_1, \dots, T_k \text{ a set-like term} \\ \mathcal{E}^{-1}\langle i : n \parallel P \rangle &= i \text{ with } \iota(i) = (n, \mathcal{E}^{-1}(P)) \\ \mathcal{E}^{-1}(p) &= p \\ \mathcal{E}^{-1}(i \simeq N_1, \dots, N_k) &= \mathcal{E}^{-1}(i \simeq N_1) \cup \mathcal{E}^{-1}(i \simeq N_k) \\ \mathcal{E}^{-1}(i \simeq j \frown (p_1, r_1), \dots, (p_k, r_k)) &= \{(i \frown p_1, j \frown r_1), \dots, (i \frown p_k, j \frown r_k)\} \\ \mathcal{E}^{-1}(t_1 \rightarrow t_2) &= \mathcal{E}^{-1}(t_1) \rightsquigarrow \mathcal{E}^{-1}(t_2) \end{aligned}$$

Let $G_1 \rightsquigarrow G_2 = \mathcal{E}^{-1}(t_1 \rightarrow t_2)$, and let σ' be the restriction of σ on non-extension variables (hence it maps variable node identifiers, node names and ports). If we consider the set of nodes encoded by t_1 , the substitution σ' and the identity mapping for the rest of the node identifiers, node names, and ports not in the domain of σ' , we are able to construct the corresponding matching morphism for G_1 and G .

Let t'_1 be a term obtained from $\overline{t_1}$ by keeping only the structure along with the node identifiers, node names, and extension variables; then, once they are instantiated by σ :

- the subterms $\langle i : n \parallel W \rangle$ encode unmatched partial nodes,
- the extension variable of sort *NodeSet* encodes the context nodes,
- the subterms $i \simeq (j \frown W_1), W_2$ encode unmatched edges and bridges if $i, j \neq \bullet$,

- the extension variable of sort *NeighbourSet* encodes bridges and context edges.

Since $\mathcal{E}^{-1}(\sigma(\bar{t}_1)) = G$ and $\mathcal{E}^{-1}(\sigma(t_1)) = m(G_1)$, we saw above that G is a composition of $m(G_1)$, unmatched partial nodes and edges, bridges, and a context graph. Hence we can write $G = G^-[m(G_1)]_{\mathcal{U}_n, \mathcal{U}_e, \mathcal{B}}$.

The ACU-matching algorithm returns all solutions for the extension variables corresponding to all partitions of the port sets in the unmatched partial nodes. Since among all solutions, the substitution σ is chosen, then ξ^σ provides the right partition of the port sets needed for updating the unmatched partial nodes via the node-substitution in the multigraph rewriting. Hence we obtain a resulting graph $G' = G^-[m(R)]_{m(\xi)(\mathcal{U}_n), m(\xi)(\mathcal{U}_e), m(\xi)(\mathcal{B})}$ which is encoded by t' .

□

There is also a correspondence between all possible results of rewriting a multigraph G using a rule $G_1 \rightsquigarrow G_2$ and a morphism m , and possible results of rewriting $t = \mathcal{E}(G)$ using $t_1 \rightarrow t_2 = \mathcal{E}(G_1 \rightsquigarrow G_2)$ since all solutions of the matching $\bar{t}_1 \ll t$ have as common basis the encoding of m , but different mappings for the extension variables. Hence, while the application for multigraphs of the node-substitution on unmatched partial nodes produces k results, the application of node-substitution for a term produces a term and the k solutions arise from different solutions of the ACU-matching problem with the extension variables.

5 A Multigraph Rewriting Calculus

After a short overview of the rewriting calculus (or ρ -calculus), the embedding of mg-rewriting in the rewriting calculus is presented, resulting in a multigraph term rewriting calculus.

5.1 The Rewriting Calculus

The rewriting calculus (or ρ -calculus) [9] extends first-order term rewriting and λ -calculus. From the λ -calculus, the ρ -calculus inherits its higher-order capabilities and the explicit treatment of functions and their applications. It was introduced to make all the basic ingredients of rewriting explicit objects, in particular the notions of rewrite rule (or abstraction) “ $_ \rightarrow _$ ”, rule application “ $_ _$ ”, and set of results “ $_ _$ ”. In the ρ -calculus, the usual λ -abstraction $\lambda x.t$ is replaced by a rule abstraction $T_1 \rightarrow T_2$, where T_1 and T_2 are two arbitrary terms, and the free variables of T_1 are bound in T_2 .

The syntax is defined in Fig. 10 with \mathcal{X} the set of variables and \mathcal{K} the set of function symbols. The operator “ $_ _$ ” groups terms together into *structures*, and, depending on the chosen theory for this operator, it provides lists, sets or multisets to represent multiple results.

The small-step reduction semantics of the ρ -calculus is defined by the two evaluation rules in Fig. 11. If the matching problem $p \ll t_3$ has a solution σ ,

Terms	$\mathcal{T} ::= \mathcal{X} \mid \mathcal{K} \mid \mathcal{P} \rightarrow \mathcal{T} \mid \mathcal{T}\mathcal{T} \mid \mathcal{T} \wr \mathcal{T}$
Patterns	$\mathcal{P} \subseteq \mathcal{T}$

Fig. 10. The syntax of ρ -calculus

then the application of the rewrite rule to t_3 evaluates to $\sigma(t_2)$. The set of patterns is not a priori fixed, and the matching power of the ρ -calculus can be regulated using arbitrary theories. Therefore the semantics of the calculus depends essentially on those parameters.

(ρ)	$(p \rightarrow t_2)t_3 \rightarrow_\rho \sigma_1(t_2) \wr \dots \wr \sigma_n(t_2) \wr \dots$ with $\sigma_i \in \text{Sol}(p \ll t_3)$
(δ)	$(t_1 \wr t_2)t_3 \rightarrow_\delta t_1 t_3 \wr t_2 t_3$

Fig. 11. The semantics of ρ -calculus

An important feature of the ρ -calculus is its capability of encoding *rewrite strategies* as shown in [10]. The basic strategies are the rewrite rules. An immediate application of the use of rewrite strategies in the ρ -calculus is the encoding of conditional rewriting [9]. The ρ -calculus has been proved confluent for linear algebraic patterns [9].

5.2 Embedding mg-Rewriting into Rewriting Calculus

Relying on the encoding of multigraph rewriting, we can now encode the mg-rewriting in the ρ -calculus as follows:

- take for \mathcal{K} the operation symbols in \mathcal{F} with the partial ordered set of sorts $(\mathcal{S}, <)$ and for \mathcal{X} an $(\mathcal{S}, <)$ -sorted family of variables;
- consider as patterns well-formed terms in canonical form in $\mathcal{T}_{\Sigma, MGraph}(\mathcal{X})$;
- consider only rewrite rules whose both sides are patterns.

We benefit in addition of the structure operator which allows grouping rules or results of applications.

As for the semantics, while (δ) dealing with the distributivity of the application over structures is taken as such from the ρ -calculus, we need a new rule for the application of a rewrite rule $t_1 \rightarrow t_2$ on a well-formed term t_3 in canonical form as follows:

(ρ_{mg})	$(\overline{t_1 \rightarrow t_2}) t_3 \rightarrow_\rho S(\varsigma_1(\overline{t_2})) \wr \dots \wr S(\varsigma_n(\overline{t_2})) \wr \dots,$ if $\sigma_i \in \text{Sol}(\overline{t_1} \ll t_3), \xi = \text{GetMap}(\overline{t_1 \rightarrow t_2}), \varsigma_i = \sigma_i \circ \xi^{\sigma_i}$
---------------	---

where $\overline{t_1 \rightarrow t_2}$ is the extended rule associated to $t_1 \rightarrow t_2$, the matching problem is solved using an ACU-matching algorithm, and S is a strategy which reduces a term to its normal form w.r.t. the cleaning and restructuring rules respectively.

We obtain this way a *rewriting calculus for labeled multigraphs with ports*, which is an instance of ρ -calculus, and we call it the ρ_{mg} -calculus.

6 Conclusion

An implementation for the multigraphs with ports is currently developed in TOM¹[5] using pointers for the termgraph implementation [4] which handles cyclic termgraphs as well. We use a more efficient encoding for programming by representing a multigraph by its node set and each edge by a pointer to the target port associated to the source port. The use of pointers and TOM's maximal sharing is very important in order to cope with computer representation of large terms.

The generality of the notion of multigraph with ports allows expressing different types of multigraphs, from simple graphs to multigraphs with ports with states. For further applications, an interesting research direction is to enhance multigraphs with ports with a hierarchical node structure describing nested nodes, and to relate them to Milner's bigraphs [16].

References

1. O. Andrei, L. Ibanescu, and H. Kirchner. Non-intrusive Formal Methods and Strategic Rewriting for a Chemical Application. In K. Futatsugi, J.-P. Jouannaud, and J. Meseguer, editors, *Algebra, Meaning, and Computation, Essays Dedicated to Joseph A. Goguen on the Occasion of His 65th Birthday*, volume 4060 of *Lecture Notes in Computer Science*, pages 194–215. Springer, 2006.
2. O. Andrei and H. Kirchner. Rewrite Rules and Strategies for Molecular Graphs. Submitted.
3. F. Baader and T. Nipkow. *Term Rewriting and All That*. Cambridge University Press, 1998.
4. E. Balland and P. Brauner. Term-graph rewriting in Tom using relative positions. In *Pre-proceedings of 4th International Workshop on Computing with Terms and Graphs - TERMGRAPH*, 2007.
5. E. Balland, P. Brauner, R. Kopetz, P.-E. Moreau, and A. Reilles. Tom: Piggybacking Rewriting on Java. In *To appear in Proceedings of RTA'07.*, 2007.
6. M. L. Blinov, J. Yang, J. R. Faeder, and W. S. Hlavacek. Graph theory for rule-based modeling of biochemical networks. In *Proceedings of BioCONCUR 2005: A workshop on concurrent models in molecular biology*, 2005.
7. O. Bournez, L. Ibanescu, and H. Kirchner. From Chemical Rules to Term Rewriting. *Electronic Notes in Theoretical Computer Science*, 147(1):113–134, 2006.
8. U. Brandes, M. Eiglsperger, I. Herman, M. Himsolt, and M. S. Marshall. GraphML Progress Report: Structural Layer Proposal. In *Graph Drawing*, volume 2265 of *Lecture Notes in Computer Science*, pages 501–512. Springer, 2002.
9. H. Cirstea and C. Kirchner. The rewriting calculus - Part I and II. *Logic Journal of the IGPL*, 9(3):427–498, 2001.
10. H. Cirstea, C. Kirchner, L. Liquori, and B. Wack. Rewrite strategies in the rewriting calculus. *Electronic Notes in Theoretical Computer Science*, 86(4):593–624, Jun 2003.

¹ Web page <http://tom.loria.fr>.

11. A. Corradini, U. Montanari, F. Rossi, H. Ehrig, R. Heckel, and M. Löwe. Algebraic Approaches to Graph Transformation - Part I: Basic Concepts and Double Pushout Approach. In G. Rozenberg, editor, *Handbook of Graph Grammars and Computing by Graph Transformations, Volume 1: Foundations*, pages 163–246. World Scientific, 1997.
12. V. Danos and C. Laneve. Formal molecular biology. *Theoretical Computer Science*, 325(1):69–110, 2004.
13. J. A. Goguen and J. Meseguer. Order-Sorted Algebra I: Equational Deduction for Multiple Inheritance, Overloading, Exceptions and Partial Operations. *Theoretical Computer Science*, 105(2):217–273, 1992.
14. C. Kirchner and H. Kirchner. Rewriting, Solving, Proving. Available at <http://www.loria.fr/~ckirchne/=rsp/rsp.pdf>.
15. H. Kirchner and P.-E. Moreau. Promoting rewriting to a programming language: a compiler for non-deterministic rewrite programs in associative-commutative theories. *J. Funct. Program.*, 11(2):207–251, 2001.
16. R. Milner. Bigraphical Reactive Systems. In K. G. Larsen and M. Nielsen, editors, *CONCUR*, volume 2154 of *Lecture Notes in Computer Science*, pages 16–35. Springer, 2001.
17. A. Schürr. Programmed Graph Replacement Systems. In G. Rozenberg, editor, *Handbook of Graph Grammars and Computing by Graph Transformations, Volume 1: Foundations*, pages 479–546. World Scientific, 1997.